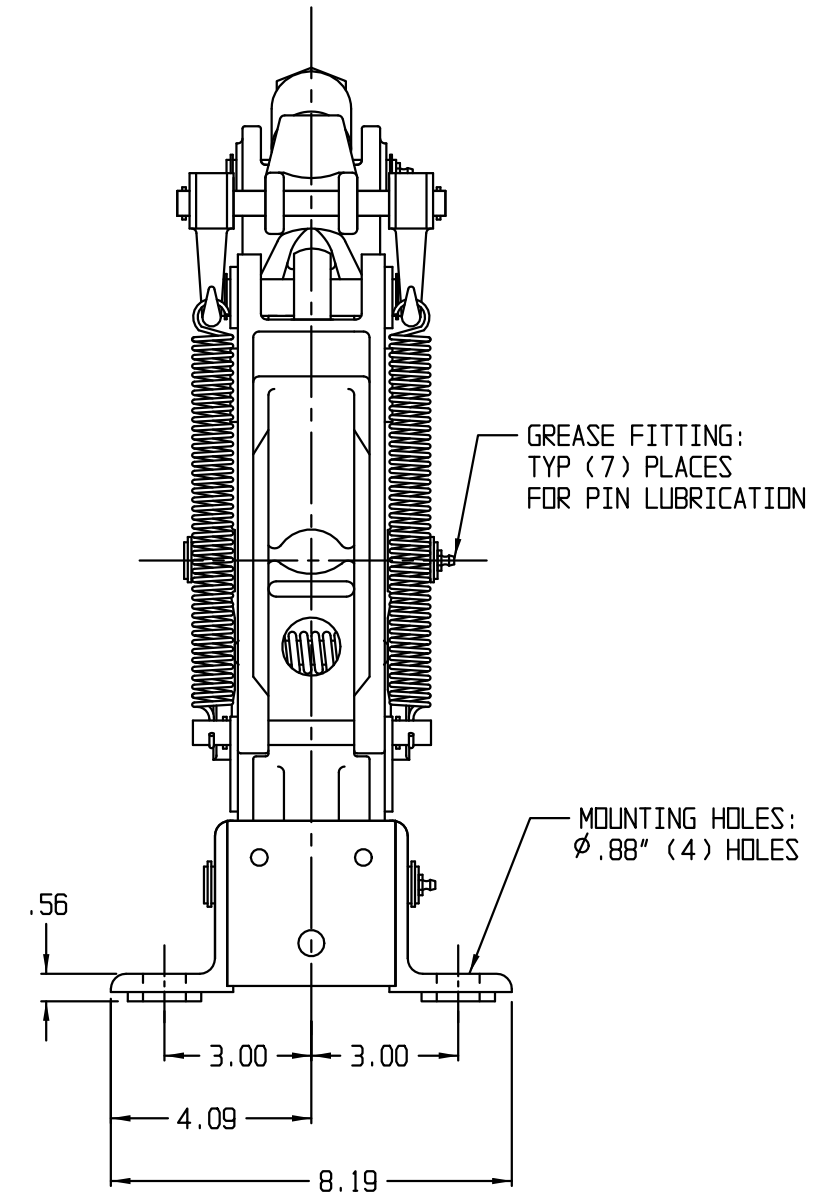
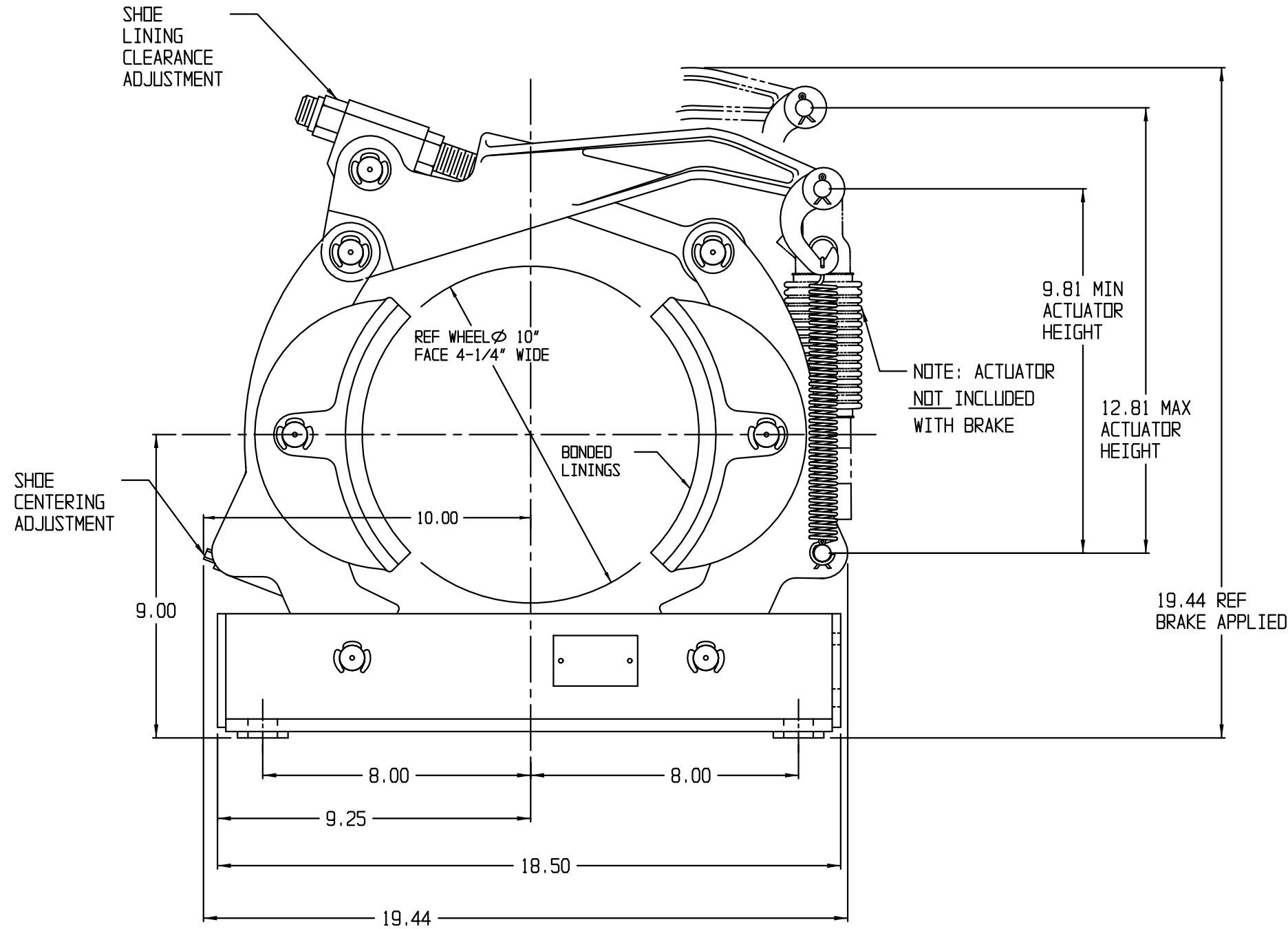


REVISIONS			
REV	DESCRIPTION	DATE	BY



NOTES:

- BRAKE WEIGHT W/O WHEEL: 93 LBS.
- FINISH: GRAY PRIMER.
- DIMENSIONS ARE APPROXIMATE UNLESS OTHERWISE NOTED.

THIRD ANGLE PROJECTION 	This drawing or material is submitted to you in trust and confidence and is understood that the material shall never be used in any manner detrimental to our company.		DR. AMB DATE 6/28/95	TITLE DIMENSION DRAWING 10" BRAKE TYPE H J002926	
	PATRIOT Sensors & Controls Corporation 6380 BROCKWAY ROAD PECK, MICHIGAN 48466		APP. DATE SCALE 3/8	DRAWING NO. PD-0071700	REV. <input type="checkbox"/> SIZE C
TOLERANCE ALLOWANCE UNLESS SPECIFIED +/- .010 IN 2 PLACE DECIMAL +/- .005 IN 3 PLACE DECIMAL +/- .0005 IN 4 PLACE DECIMAL +/- 0°30' ON ANGLE	F.O. NO. 8070		S.O. NO.		