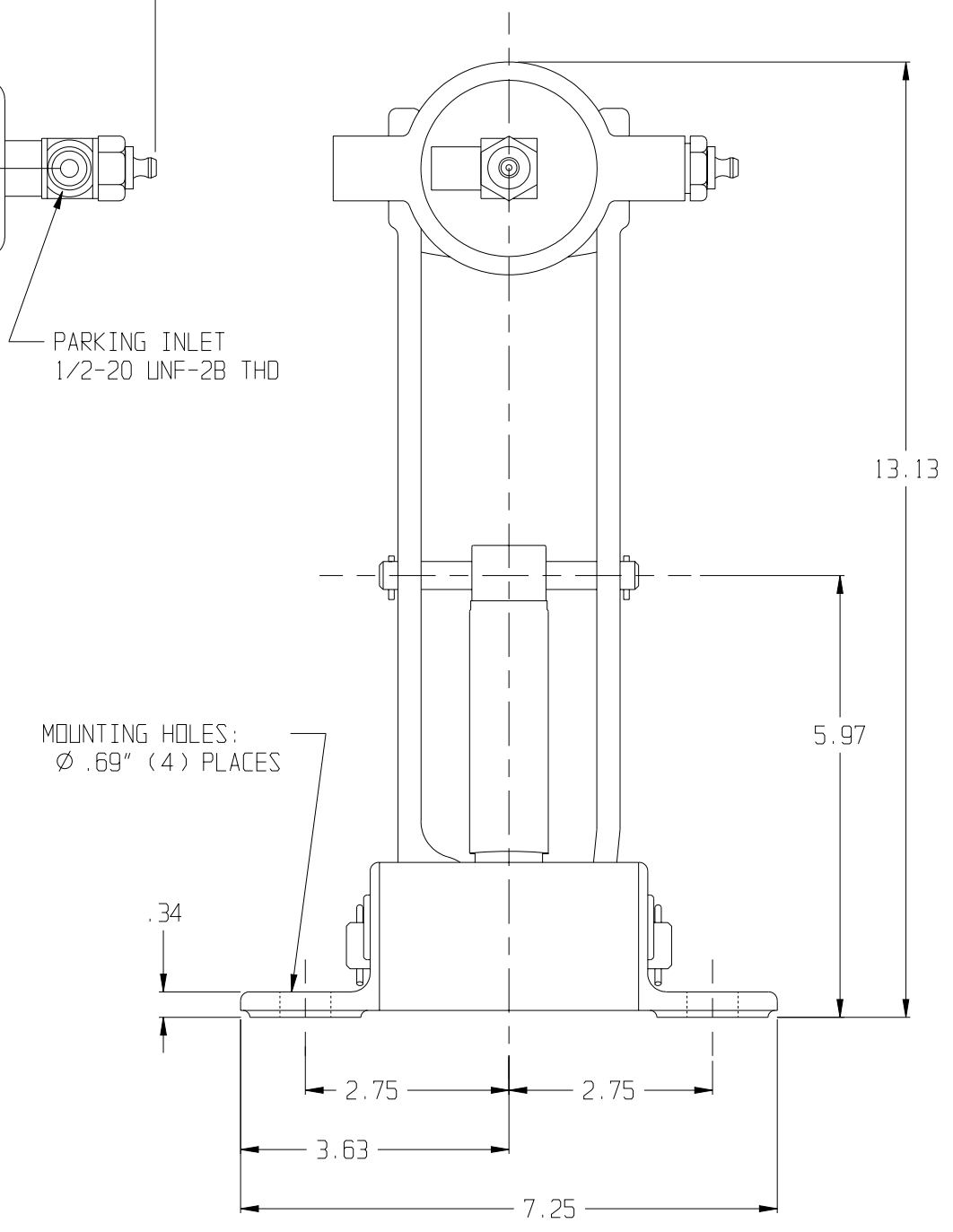
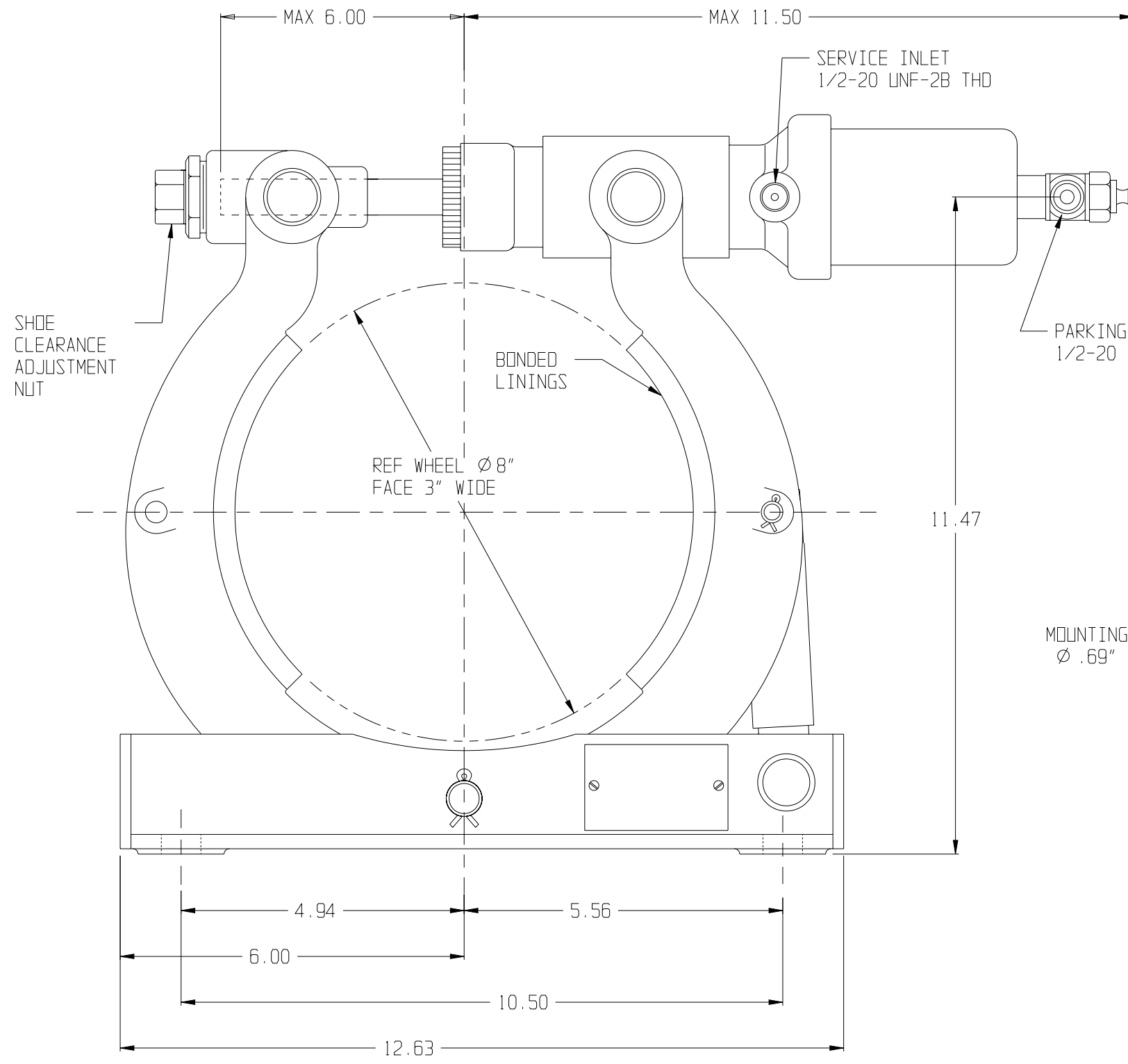


REVISIONS			
REV	DESCRIPTION	DATE	BY



NOTES:

- BRAKE WEIGHT W/O WHEEL: 32 LBS.
- FINISH: GRAY PRIMER.
- DIMENSIONS ARE APPROXIMATE UNLESS OTHERWISE NOTED.

THIRD ANGLE PROJECTION 	This drawing or material is submitted to you in trust and confidence and is understood that the material shall never be used in any manner detrimental to our company.	DR: AMB DATE: 6/28/95 APP:	TITLE: DIMENSION DRAWING 8" BRAKE TYPE HM J003205	
	PATRIOT Sensors & Controls Corporation 6380 BROCKWAY ROAD PECK, MICHIGAN 48466	DATE: 5/8 SCALE:	DRAWING NO.: PD-0072500	REV: □
TOLERANCE ALLOWANCE UNLESS SPECIFIED +/- .010 IN 2 PLACE DECIMAL +/- .005 IN 3 PLACE DECIMAL +/- .0005 IN 4 PLACE DECIMAL +/- 0°30' ON ANGLE	F.O. NO.: 8070	S.O. NO.:		