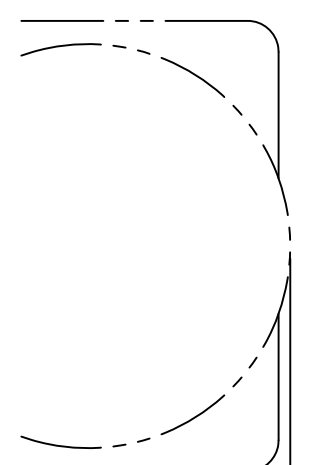


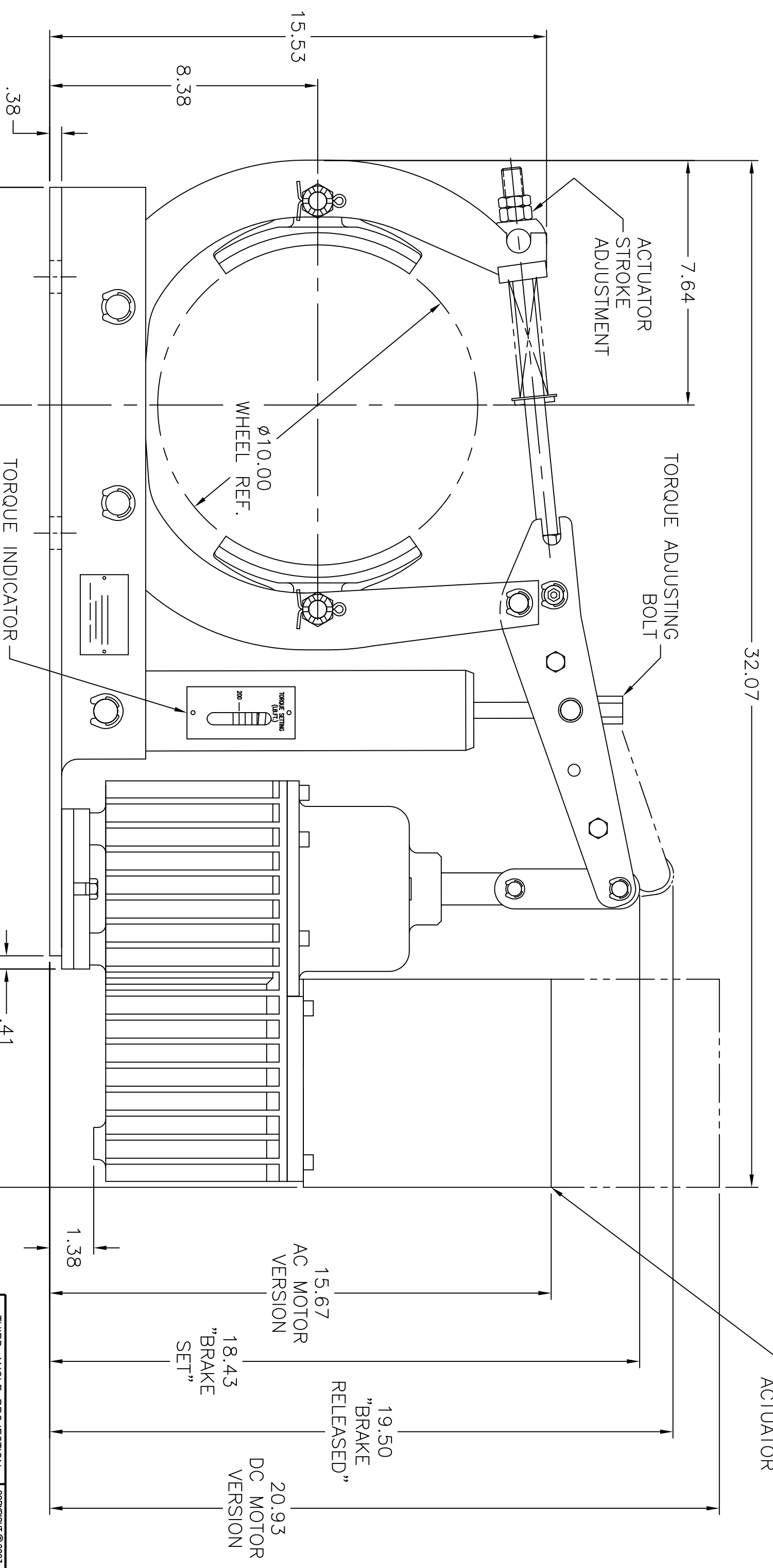
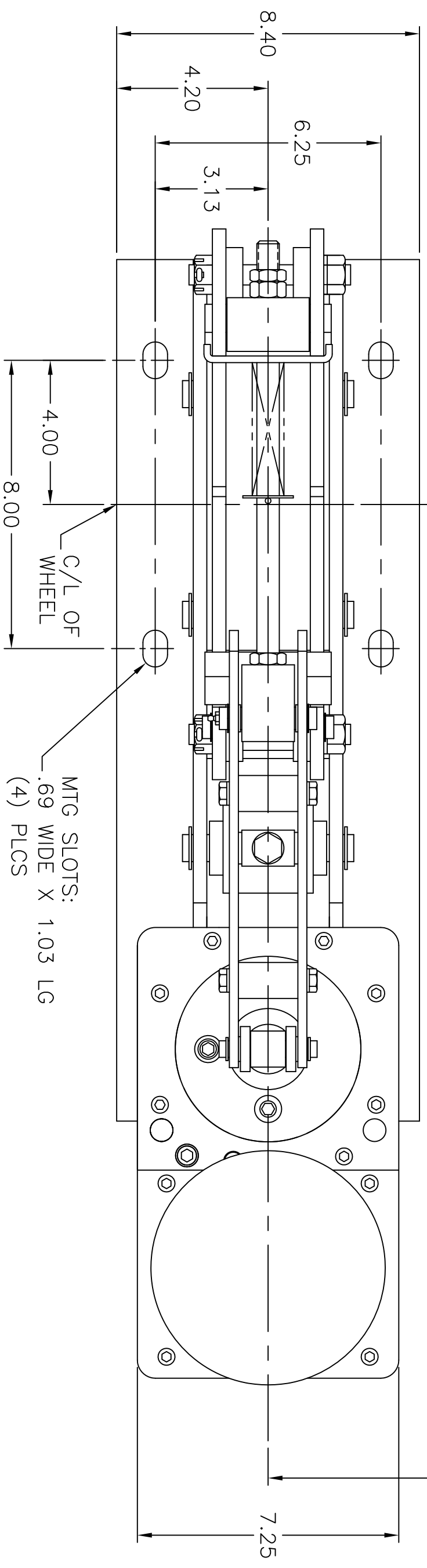
REV.	DESCRIPTION	DATE	BY
C	UPDATED DRAWING BORDER	12/15/03	J.S.B.

18.74  
OPTIONAL  
ACTUATOR  
POSITION



9.32  
OPTIONAL  
ACTUATOR  
POSITION

NOTE: ACTUATOR AVAILABLE IN  
THREE POSITIONS: INLINE (AS SHOWN), ROTATED  
90° RIGHT (AS SHOWN), OR ROTATED 90° LEFT



NOTE:  
STANDARD TORQUE RATING: 200 LB.FT.

THIRD ANGLE PROJECTION	DR. G.S.L.	TITLE
SURFACE FINISH $\sqrt{63}$	DATE 10/06/95	DIMENSION DRAWING
UNLESS OTHERWISE SPECIFIED	APP. J.S.B.	ET10 BRAKE
TOLERANCE ALLOWANCE	DATE 12/15/03	DRAWING NO. PD-0074600
UNLESS OTHERWISE SPECIFIED:	SCALE	REV. SIZE
+/-. 0.010 ON 2 PLACE DECIMALS	5/16	C C
+/-. 0.0005 ON 4 PLACE DECIMALS		
+/-. 30 MIN. ON ALL ANGLES		

AMETEK  
AUTOMATION & PROCESS TECHNOLOGIES  
Clawson, MI 48017 U.S.A.

DR. G.S.L.  
DATE 10/06/95  
APP. J.S.B.  
DATE 12/15/03  
SCALE  
5/16

TITLE  
DIMENSION DRAWING  
ET10 BRAKE  
DRAWING NO. PD-0074600  
REV. SIZE  
C C