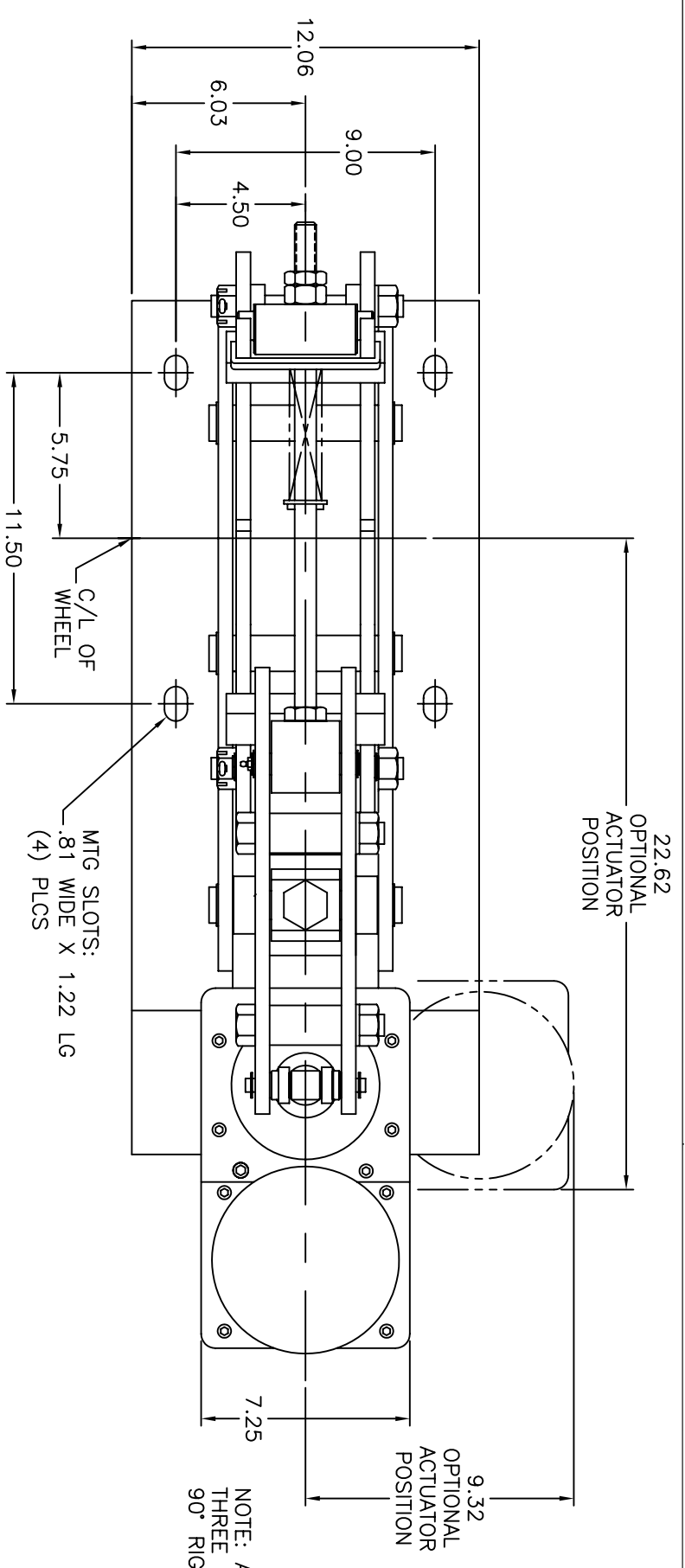
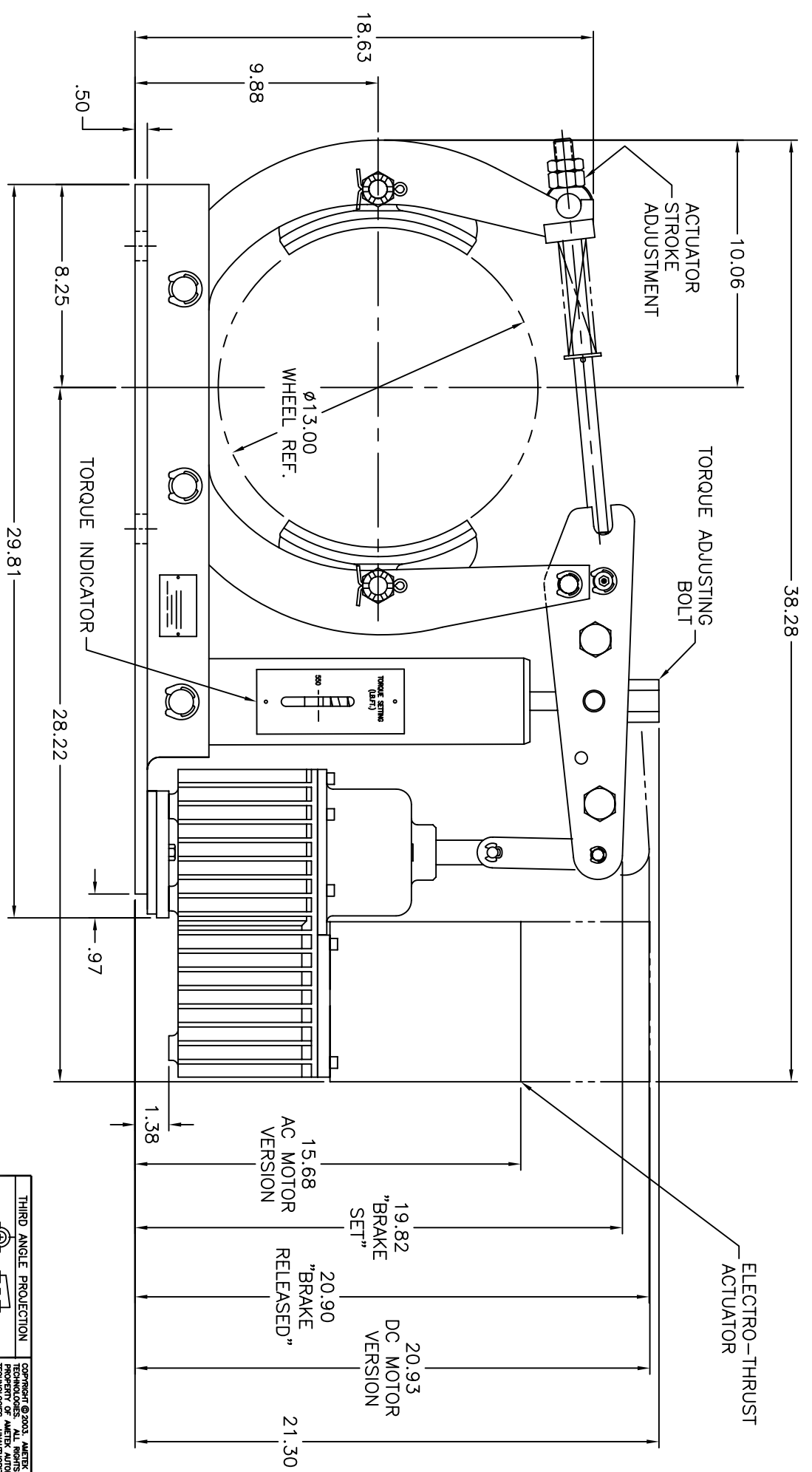


REV.	DESCRIPTION	DATE	BY
B	UPDATED DRAWING BORDER	12/18/03	J.S.B.



NOTE: ACTUATOR AVAILABLE IN THREE POSITIONS: INLINE (AS SHOWN), ROTATED 90° RIGHT (AS SHOWN), OR ROTATED 90° LEFT



NOTE:
STANDARD TORQUE RATING: 550 LB.FT.

THIRD ANGLE PROJECTION	DATE 11/28/95	DR. J.S.B.	TITLE
SURFACE FINISH 32	DATE 11/28/95		DIMENSION DRAWING
TOLERANCE ALLOWANCE UNLESS OTHERWISE SPECIFIED	DATE		ET13 BRAKE
UNLESS OTHERWISE SPECIFIED: +/- .010 ON 2 PLACE DECIMALS	SCALE		DRAWING NO.
+/- .0005 ON 4 PLACE DECIMALS	SCALE 1/4		PD-0075500
+/- .30 MM. ON ALL ANGLES	SCALE		REV. SIZE
			B C

AMETEK AUTOMATION & PROCESS TECHNOLOGIES
CLAWSON, MI 48017 U.S.A.