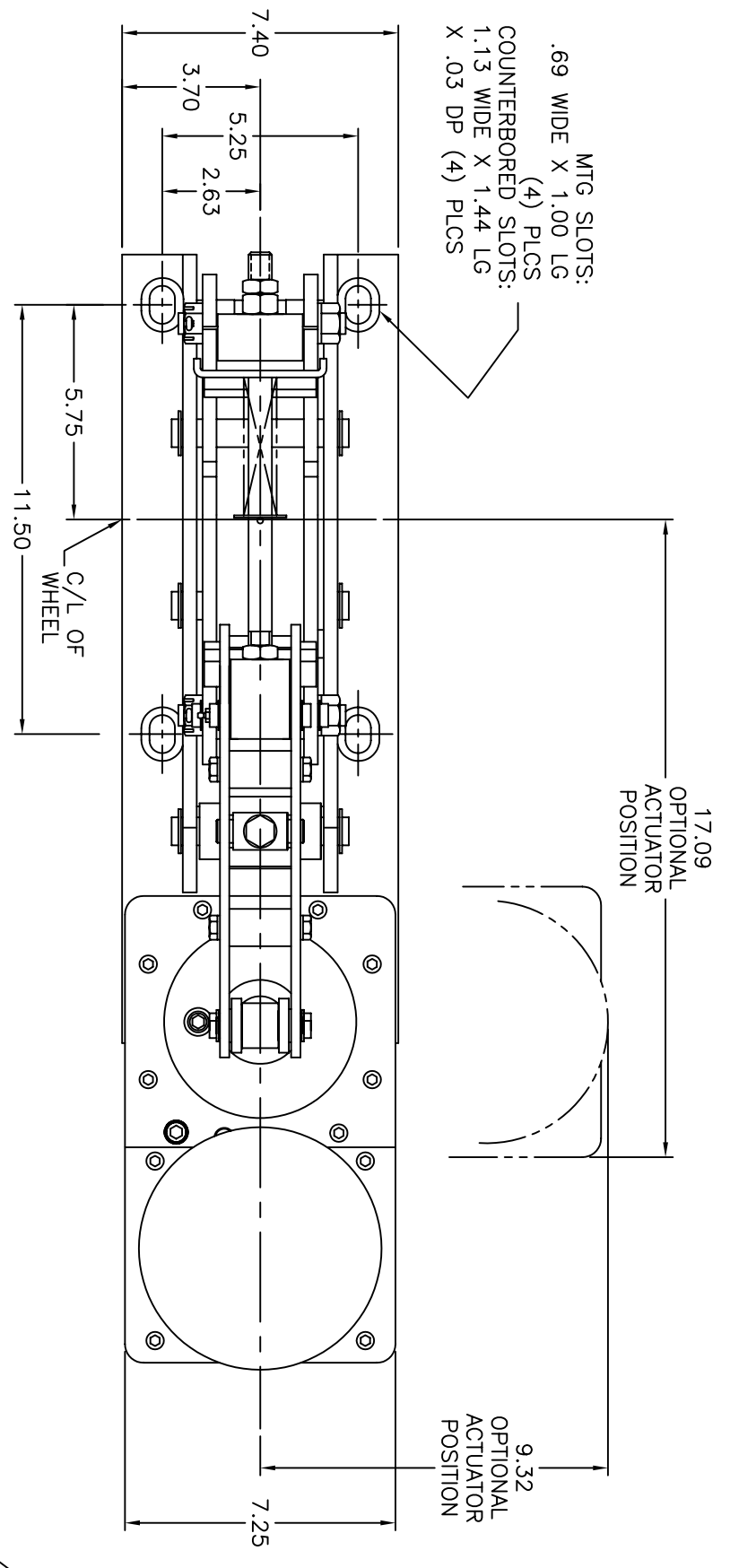
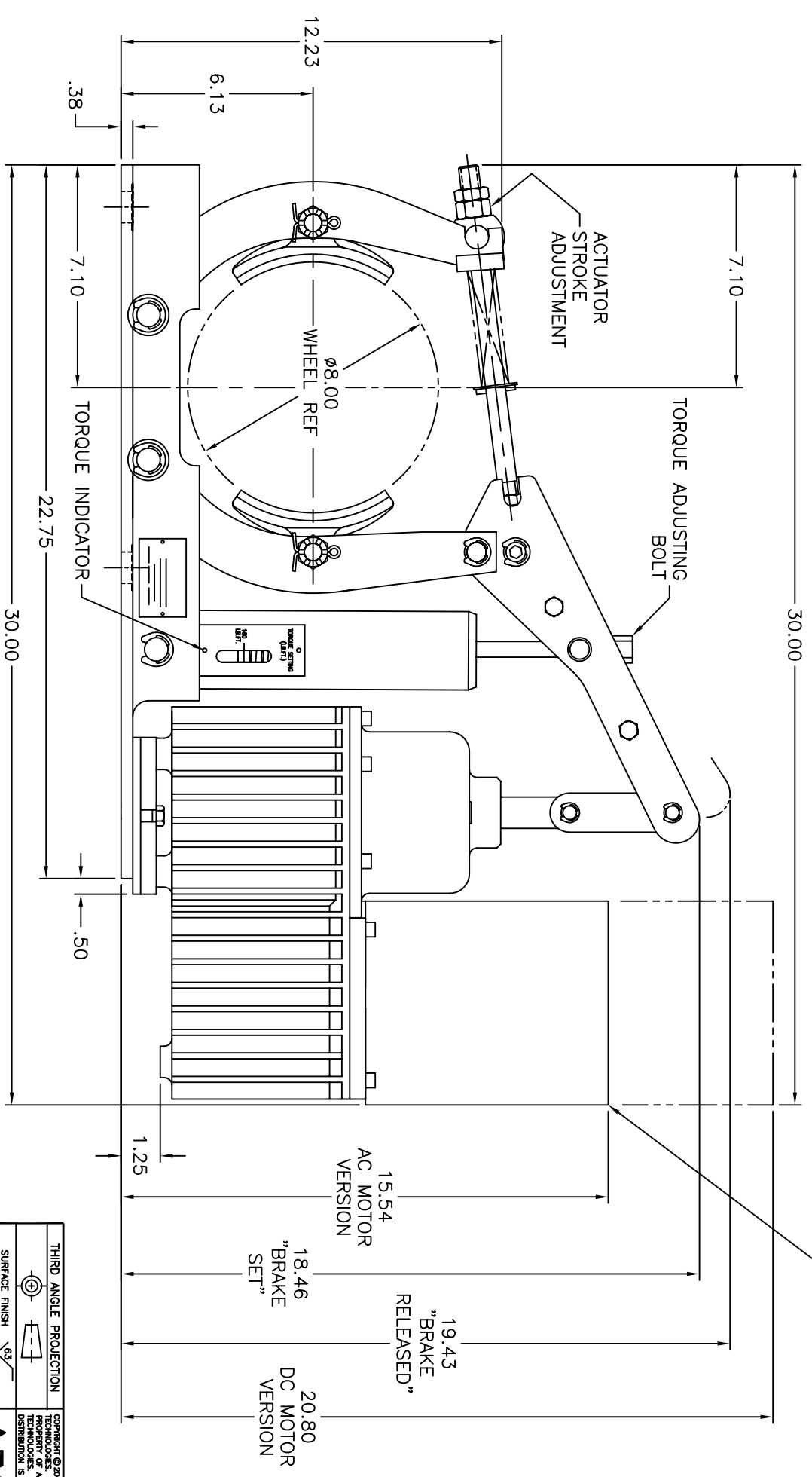


REV.	DESCRIPTION	DATE	BY
A	MAJOR REDESIGN OF BRAKE	06/13/96	J.S.B.
B	UPDATED DRAWING BORDER	01/28/04	J.S.B.

MTG SLOTS:
.69 WIDE X 1.00 LG
(4) PLCS
COUNTERBORED SLOTS:
1.13 WIDE X 1.44 LG
X .03 DP (4) PLCS



NOTE: ACTUATOR AVAILABLE IN
THREE POSITIONS: INLINE (AS SHOWN), ROTATED
90° RIGHT (AS SHOWN), OR ROTATED 90° LEFT



NOTE:
STANDARD TORQUE RATING: 160 LB.FT.

THIRD ANGLE PROJECTION	DR. J.S.B.	TITLE
SURFACE FINISH UNLESS OTHERWISE SPECIFIED TOLERANCE ALLOWANCE UNLESS OTHERWISE SPECIFIED	DATE 01/09/96 APP. J.S.B.	DIMENSION DRAWING ET8NA BRAKE
±.0010 ON 2 PLACE DECIMALS ±.0005 ON 3 PLACE DECIMALS ±.0030 ON 4 PLACE DECIMALS ±.030 MIN. ON ALL ANGLES	DATE 01/28/04 SCALE	DRAWING NO. PD-0076800
<small>COPYRIGHT © 2004, AMETEK AUTOMATION & PROCESS TECHNOLOGIES. ALL RIGHTS RESERVED. THIS DRAWING IS THE PROPERTY OF AMETEK AUTOMATION & PROCESS TECHNOLOGIES. UNAUTHORIZED USE, REPRODUCTION OR DISTRIBUTION IS STRICTLY PROHIBITED BY FEDERAL LAW.</small>		REV. SIZE B C
AMETEK AUTOMATION & PROCESS TECHNOLOGIES Clawson, MI 48017 U.S.A.		