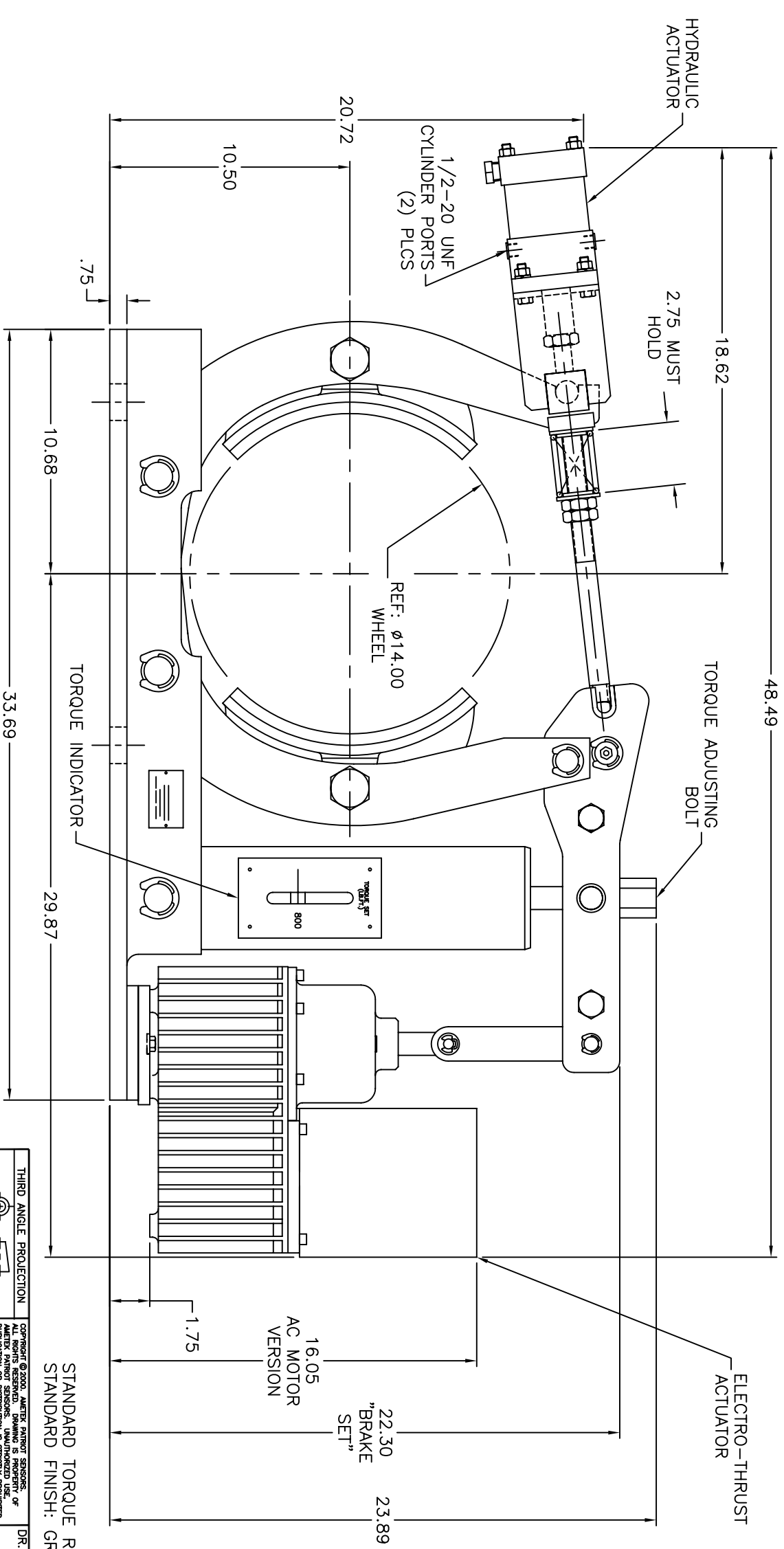
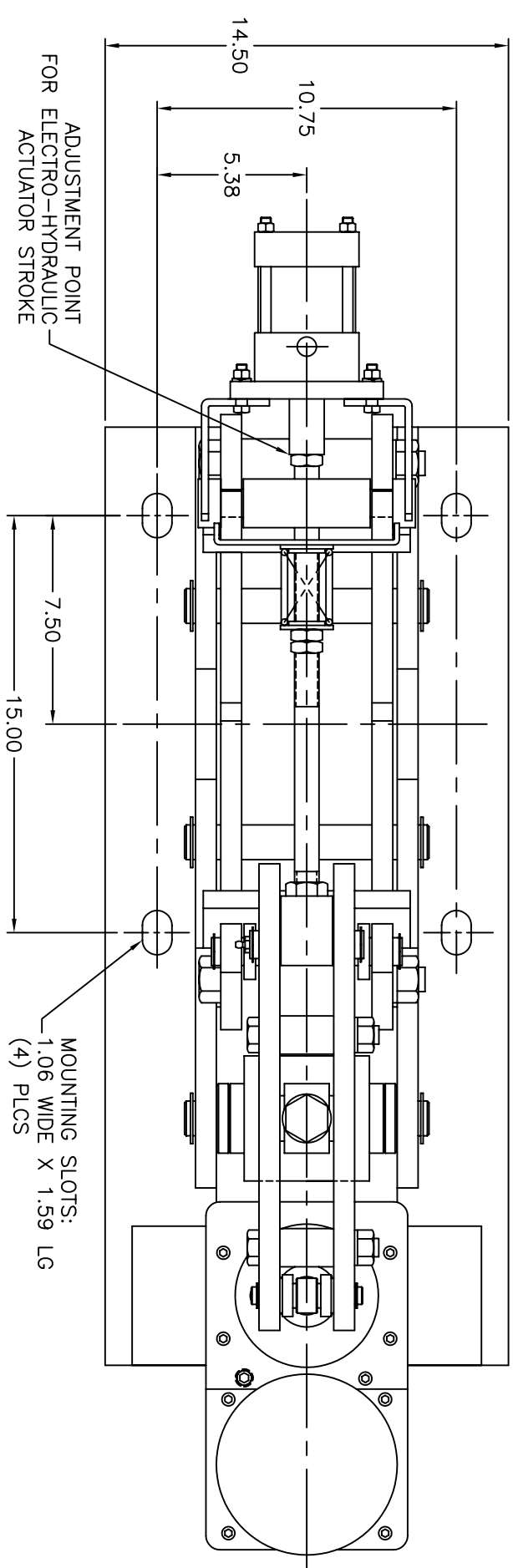


REV.	DESCRIPTION	REVISION	DATE	BY



STANDARD TORQUE RATING: 800 LB.FT.
STANDARD FINISH: GRAY PRIMER PER SPEC. FSN0008

THIRD ANGLE PROJECTION	DATE 08/29/00	DR. B.D.B.	TITLE
SURFACE FINISH 63	DATE 08/29/00	APP.	DIMENSION DRAWING
UNLESS OTHERWISE SPECIFIED TOLERANCE ALLOWANCE UNLESS OTHERWISE SPECIFIED:			ETH14NA BRAKE
+/- 0.010 ON 2 PLACE DECIMALS			W/HYDRAULIC OVERRIDE
+/- 0.0005 ON 4 PLACE DECIMALS			DRAWING NO. PD-0105500
+/- .50 MM. ON ALL ANGLES			REV. SIZE 0 C
COPYRIGHT © 2000, AMETEK PATRIOT SENSORS, OR AMETEK PATRIOT SENSORS MANUFACTURED UNDER LICENSE BY FEDERAL LMV.			
AMETEK PATRIOT SENSORS			
PATRIOT SENSORS			
Clawson, MI 48017 U.S.A.			

WIRING DIAGRAM DC CIRCUIT (SHUNT WOUND)

230 VDC

