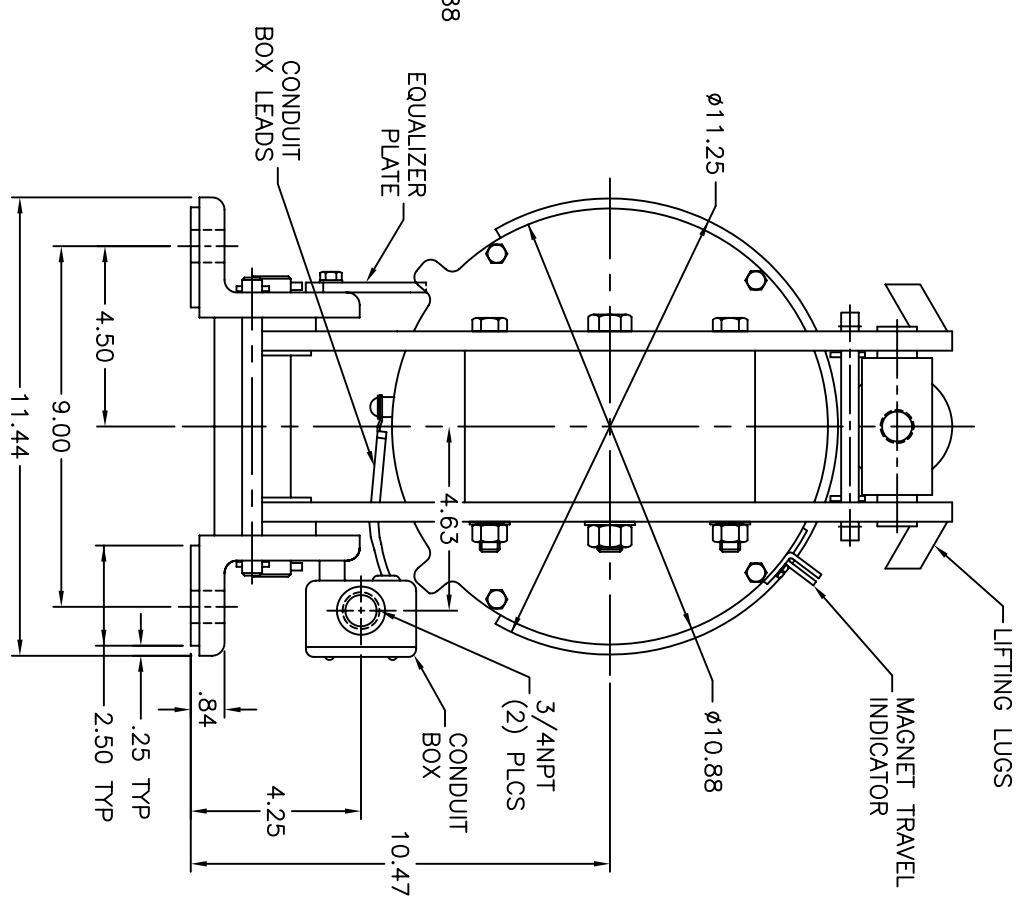
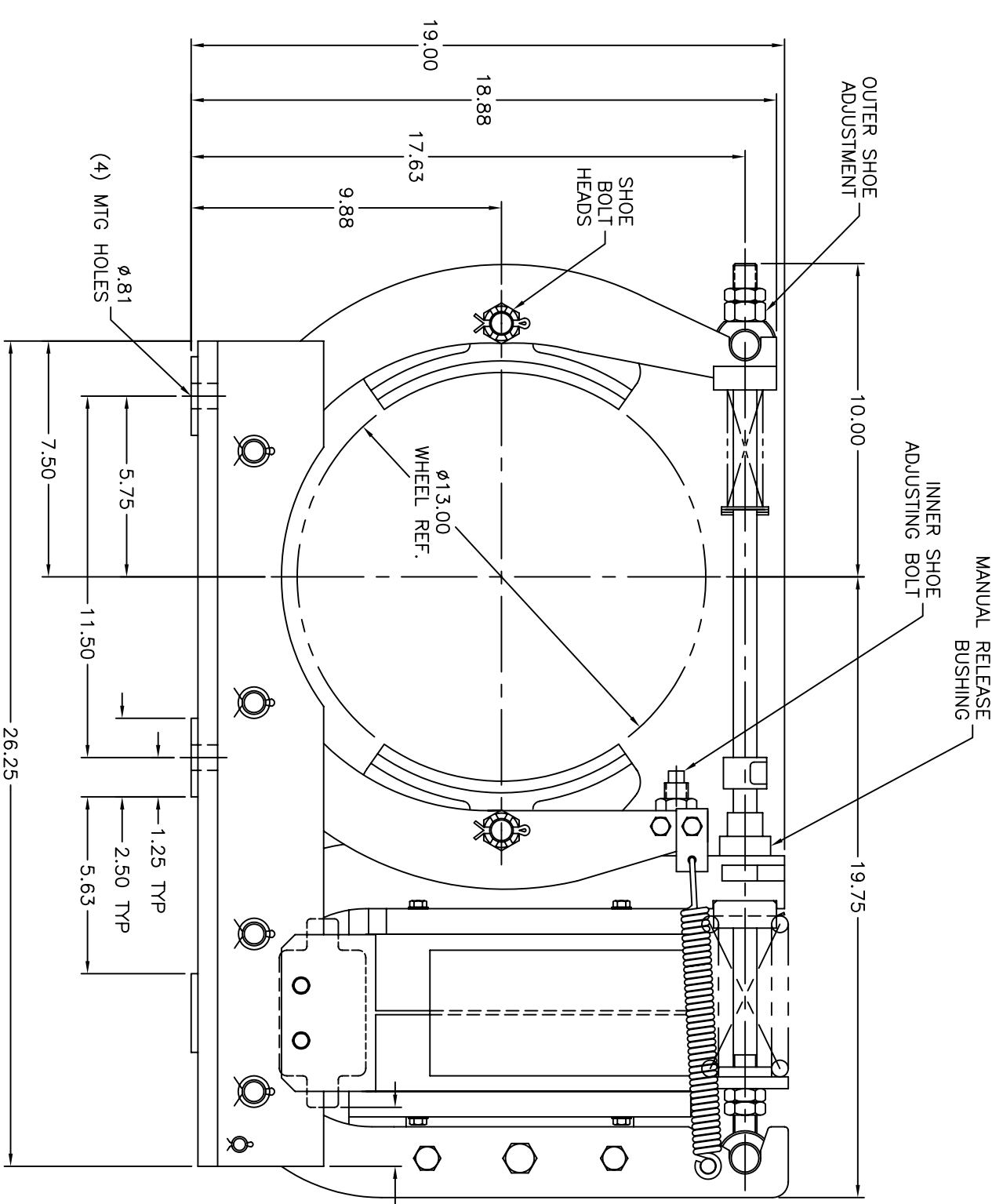


REV.	DESCRIPTION	REVISION	DATE	BY
C	UPDATED DRAWING BORDER		03/08/06	J.S.B.

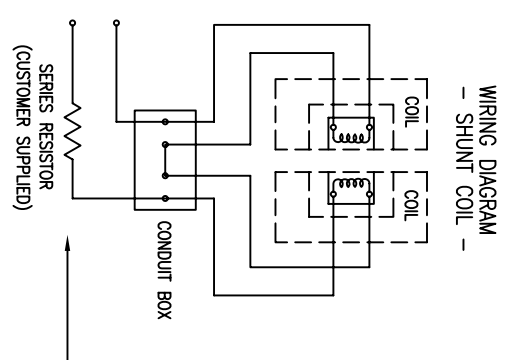


NON-STANDARD TORQUE RATINGS:

TORQUE LB.FT.	MAIN SPRING LENGTH (INCHES)
365	5.44
400	5.38

COIL DATA - SHUNT OPERATION

	CONTINUOUS OPERATION	INTERMITTENT OPERATION
VOLTS DC	32 VDC	40 VDC
AMPS	1.68 AMPS	2.1 AMPS
RESISTOR REQ'D	111 OHMS	81 OHMS



NOTES:

1. STANDARD TORQUE RATING: 550 LB.FT. (MAIN SPRING LENGTH OF 5.12")
2. NORMAL MAGNET TRAVEL: .13"
3. WEIGHT OF BRAKE W/O WHEEL: 290 LBS.
4. STANDARD RIGHT HAND MOUNTING SHOWN. FOR LEFT HAND MOUNTING, POSITIONS OF CONDUIT BOX, EQUALIZER PLATE, AND SHOE BOLT HEADS ARE REVERSED.

THIRD ANGLE PROJECTION	DR. J.S.B.	TITLE
SURFACE FINISH: UNLESS OTHERWISE SPECIFIED: TO BE AS MANUFACTURED	DATE 12/22/93	DIMENSION DRAWING
TOLERANCE ALLOWANCE: UNLESS OTHERWISE SPECIFIED: ±.010 ON 3 PLACE DECIMALS	APP. G.S.L.	TM1355 BRAKE
±.0005 ON 4 PLACE DECIMALS	DATE 3/08/06	
±.30 MIN. ON ALL ANGLES	SCALE	
 Copyright © 2006 METEK AUTOMATION & PROCESS TECHNOLOGIES. ALL RIGHTS RESERVED. DRAWING IS PROPERTY OF METEK AUTOMATION & PROCESS TECHNOLOGIES. DISTRIBUTION IS STRICTLY PROHIBITED BY FEDERAL L.M.I.		
AUTOMATION & PROCESS TECHNOLOGIES Clawson, MI 48017 U.S.A.		
5/16		DRAWING NO. E013140001
		REV. SIZE C C