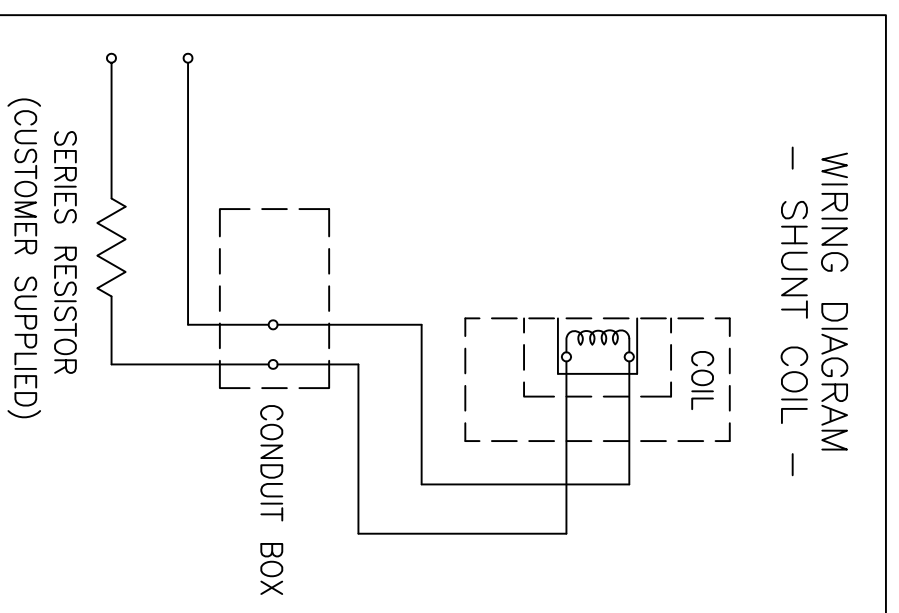
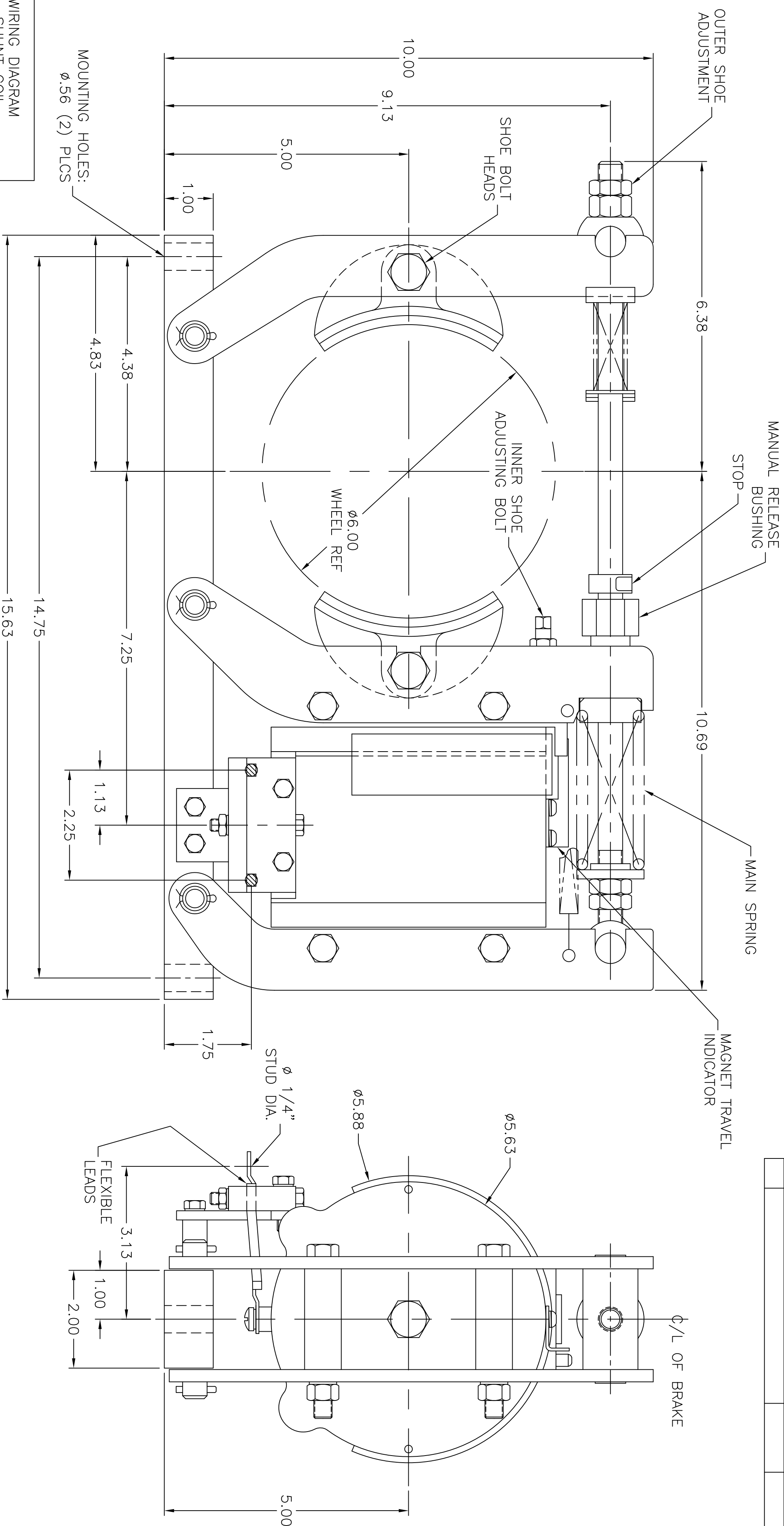


| REV. | DESCRIPTION            | DATE     | BY     |
|------|------------------------|----------|--------|
| B    | UPDATED DRAWING BORDER | 01/19/04 | J.S.B. |
|      |                        |          |        |
|      |                        |          |        |



| COIL DATA - SHUNT OPERATION |                      |                        |  |
|-----------------------------|----------------------|------------------------|--|
|                             | CONTINUOUS OPERATION | INTERMITTENT OPERATION |  |
| VOLTS DC                    | 64 VDC               | 80 VDC                 |  |
| AMPS                        | 1.08 AMPS            | 1.35 AMPS              |  |
| RESISTOR REQ'D              | 171 OHMS             | 125 OHMS               |  |

| NON-STANDARD TORQUE RATINGS: |                             |
|------------------------------|-----------------------------|
| TORQUE LB.FT.                | MAIN SPRING LENGTH (INCHES) |
| 40                           | 3.38                        |

- NOTES:
1. STANDARD TORQUE RATING: 50 LB.FT. (MAIN SPRING LENGTH OF 3.25")
  2. FINISH: PAINT PER SPEC. FSN0008
  3. NORMAL MAGNET TRAVEL: .06"
  4. WEIGHT OF BRAKE W/O WHEEL: 60 LBS.
  5. STANDARD RIGHT HAND MOUNTING SHOWN.

FOR LEFT HAND MOUNTING: POSITIONS OF COIL LEADS AND SHOE BOLT HEADS ARE REVERSED.

|                                 |               |                        |
|---------------------------------|---------------|------------------------|
| THIRD ANGLE PROJECTION          | DR. J.S.B.    | TITLE                  |
| SURFACE FINISH $\sqrt{32}$      | DATE 03/21/91 | DIMENSION DRAWING      |
| UNLESS OTHERWISE SPECIFIED      | APP. G.S.L.   | TM63 BRAKE             |
| TOLERANCE ALLOWANCE             | DATE 01/19/04 | DRAWING NO. E006117001 |
| UNLESS OTHERWISE SPECIFIED:     | SCALE         | REV. SIZE              |
| +/-. 0.010 ON 2 PLACE DECIMALS  | 5/8           | B                      |
| +/-. 0.0005 ON 4 PLACE DECIMALS |               | C                      |
| +/-. 30 MIN. ON ALL ANGLES      |               |                        |

COPYRIGHT © 2004, AMETEK AUTOMATION & PROCESS TECHNOLOGIES. ALL RIGHTS RESERVED. DRAWING IS THE PROPERTY OF AMETEK AUTOMATION & PROCESS TECHNOLOGIES. UNAUTHORIZED USE, REPRODUCTION OR DISTRIBUTION IS STRICTLY PROHIBITED BY FEDERAL LAW.  
**AMETEK**  
 AUTOMATION & PROCESS TECHNOLOGIES  
 Clawson, MI 48017 U.S.A.