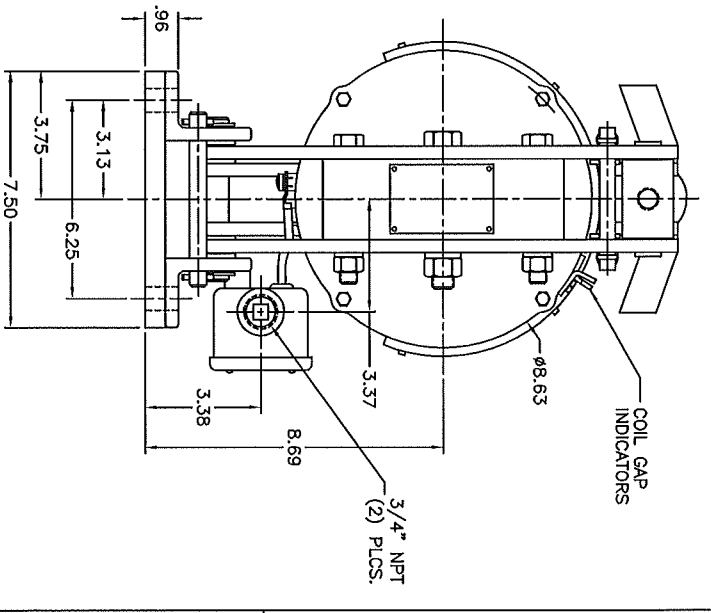
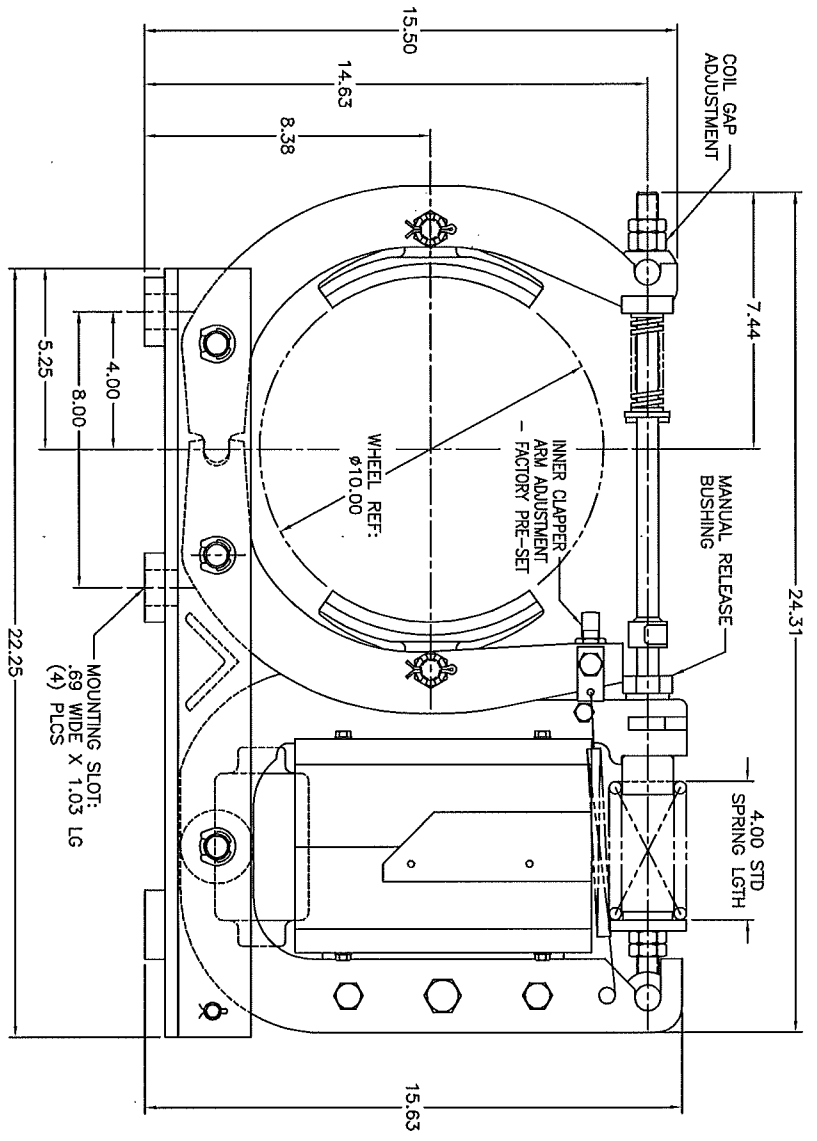


| REV. | DESCRIPTION | PROVISION | DATE | BY |
|------|-------------|-----------|------|----|
|      |             |           |      |    |
|      |             |           |      |    |
|      |             |           |      |    |
|      |             |           |      |    |

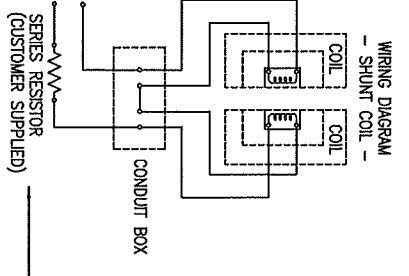


| NON-STANDARD TORQUE RATINGS |                             |
|-----------------------------|-----------------------------|
| TORQUE (LB.-FT.)            | MAIN SPRING LENGTH (INCHES) |
| 130                         | 4.31                        |
| 150                         | 4.25                        |

| COIL DATA - SHUNT OPERATION  |      | CONTINUOUS OPERATION |  | INTERMITTENT OPERATION |  |
|------------------------------|------|----------------------|--|------------------------|--|
| VOLTS DC                     | 32   | 40                   |  |                        |  |
| AMPS                         | 1.35 | 1.68                 |  |                        |  |
| RESISTOR REQ'D (Ω)           | 137  | 101                  |  |                        |  |
| RESISTOR REQ'D 250VDC (OHMS) |      |                      |  |                        |  |

NOTES:  
 -STANDARD TORQUE RATING: 200 LB.-FT. (MAIN SPRING LENGTH OF 4.00")  
 -NORMAL MAGNET TRAVEL: .06"  
 -WEIGHT OF BRAKE W/O WHEEL: 165 LBS.  
 STANDARD RIGHT HAND MOUNTING SHOWN. FOR LEFT HAND MOUNTING, POSITIONS OF CONDUIT BOX AND SHOE BOLT HEADS ARE REVERSED.



|   |                            |          |                         |     |
|---|----------------------------|----------|-------------------------|-----|
| THIRD ANGLE PROJECTION  | TOLERANCE ALLOWANCE        | DATE     | TITLE                   |     |
|   |                            | 12/21/96 | DIMENSION DRAWING       |     |
| UNLESS OTHERWISE SPECIFIED                                    | UNLESS OTHERWISE SPECIFIED | DATE     | TMSC10 BRAKE SHUNT COIL |     |
|   |                            | APR      | DRAWING NO.             |     |
| STRAIGHT ENDS ON 3 PLACE DECIMALS                             | 30 DEG ON ALL ANGLES       | NONE     | REV. SIZE               |     |
| AUTOMATION & PROCESS TECHNOLOGIES<br>Clawson, MI 48017 U.S.A. |                            |          | PD-0076400              | 0 C |