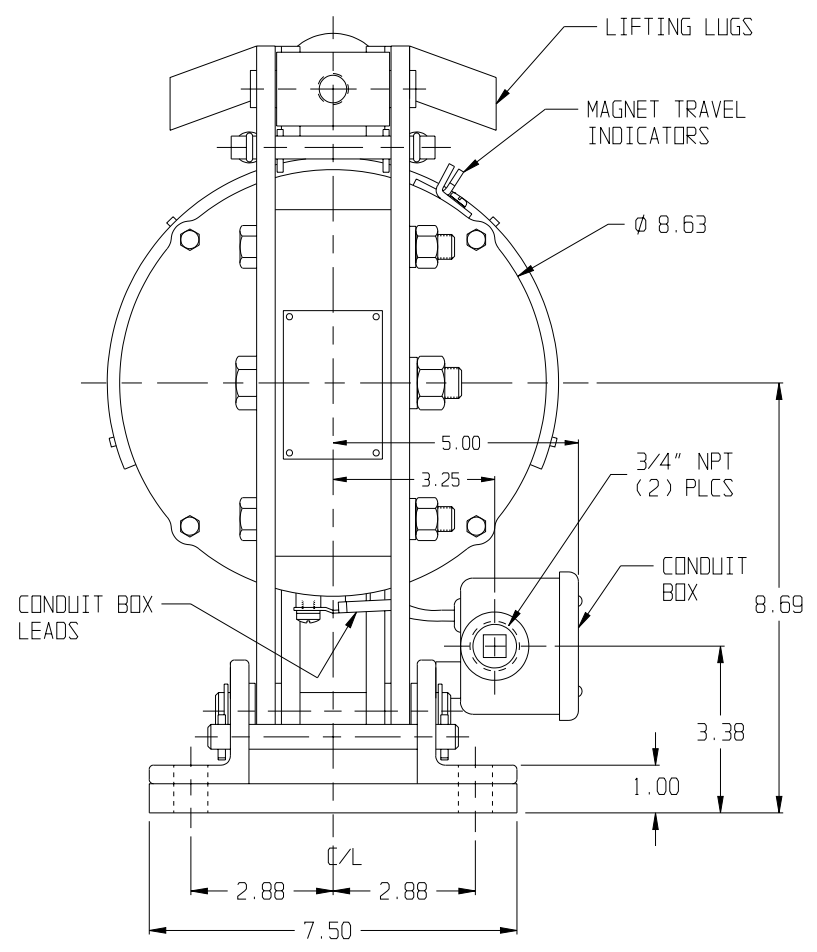
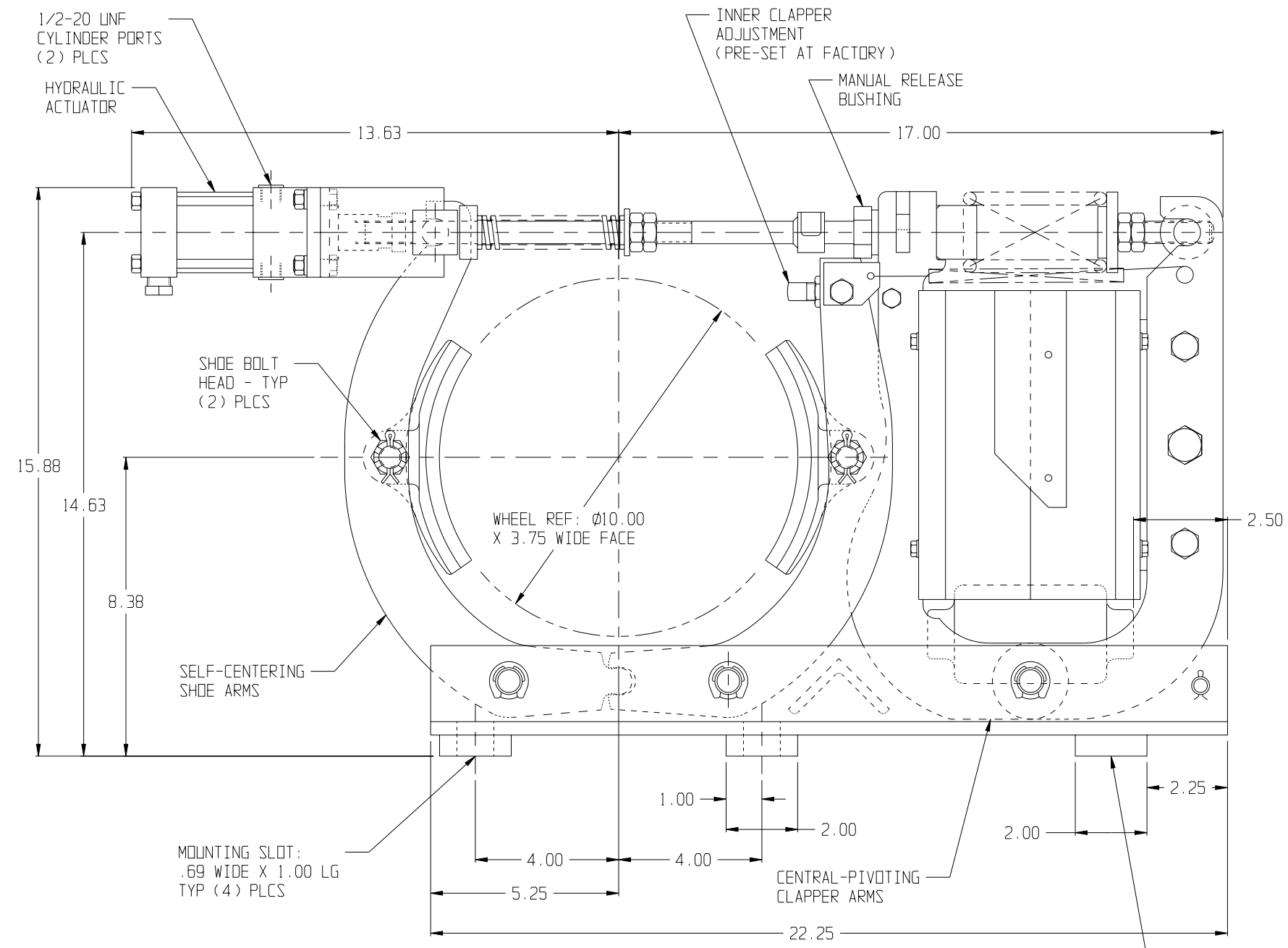


REVISIONS			
REV	DESCRIPTION	DATE	BY



NOTE: NO SUPPORT REQ'D UNDER MAGNET END OF BASE

- NOTE:
1. STANDARD TORQUE RATING: 200 LB.FT.
  2. STANDARD RIGHT-HAND MOUNTING SHOWN. FOR LEFT-HAND MOUNTING, POSITIONS OF CONDUIT BOX, SHOE BOLT HEADS, AND MAGNET TRAVEL INDICATORS ARE REVERSED.
  3. WEIGHT OF BRAKE WITHOUT WHEEL: 175 LBS.
  4. FINISH: GRAY PRIMER UNLESS OTHERWISE SPECIFIED.

THIRD ANGLE PROJECTION 	This drawing or material is submitted to you in trust and confidence and is understood that the material shall never be used in any manner detrimental to our company.	DR. J.S.B. DATE 5/29/96 APP.	TITLE DIMENSION DRAWING TMSCH10 BRAKE	
	PATRIOT Sensors & Controls Corporation 6380 BROCKWAY ROAD PECK, MICHIGAN 48466	DATE SCALE 3/8	DRAWING NO. PD-0079100	REV. <input type="checkbox"/>
TOLERANCE ALLOWANCE UNLESS SPECIFIED +/- .010 IN 2 PLACE DECIMAL +/- .005 IN 3 PLACE DECIMAL +/- .0005 IN 4 PLACE DECIMAL +/- 0°30' ON ANGLE	F.O. NO. 8130		S.O. NO.	