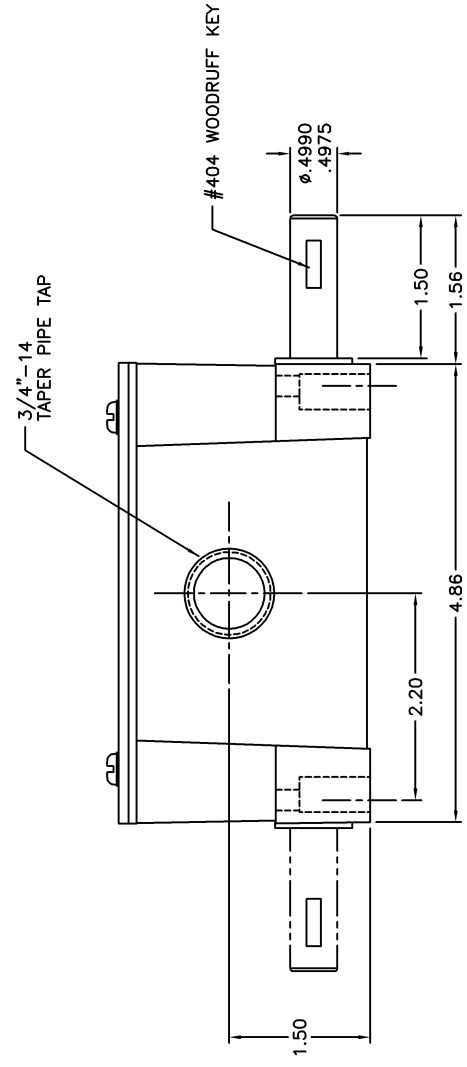
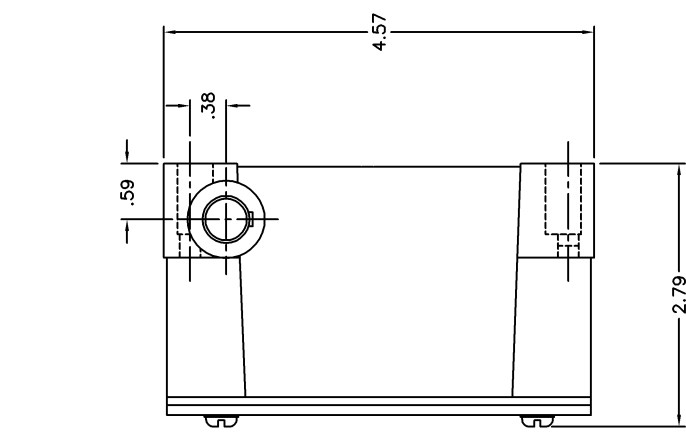


REV.	DESCRIPTION	DATE	BY
C	REDRAWN TO CAD, UPDATED BORDER	9/03/03	J.S.B.



FINISH: PAINT PER FSN0004

THIRD ANGLE PROJECTION	DR. G.C.K.	TITLE
	DATE: 12/09/00	ROTARY LIMIT SWITCH
SURFACE FINISH: .125 UNLESS OTHERWISE SPECIFIED	APP: GSL	2006 SERIES NEMA 4
TOLERANCE ALLOWANCE: UNLESS OTHERWISE SPECIFIED: .0005 ON 3 PLACE DECIMALS .0010 ON 4 PLACE DECIMALS .0015 ON 5 PLACE DECIMALS .0020 ON ALL ANGLES	DATE: 9/3/03	2 CIRCUIT UNIT
	SCALE: NONE	DRAWING NO. PD-0005800
		REV. SIZE C C

AMETEK®  
AUTOMATION & PROCESS TECHNOLOGIES  
Clawson, MI 48017 U.S.A.