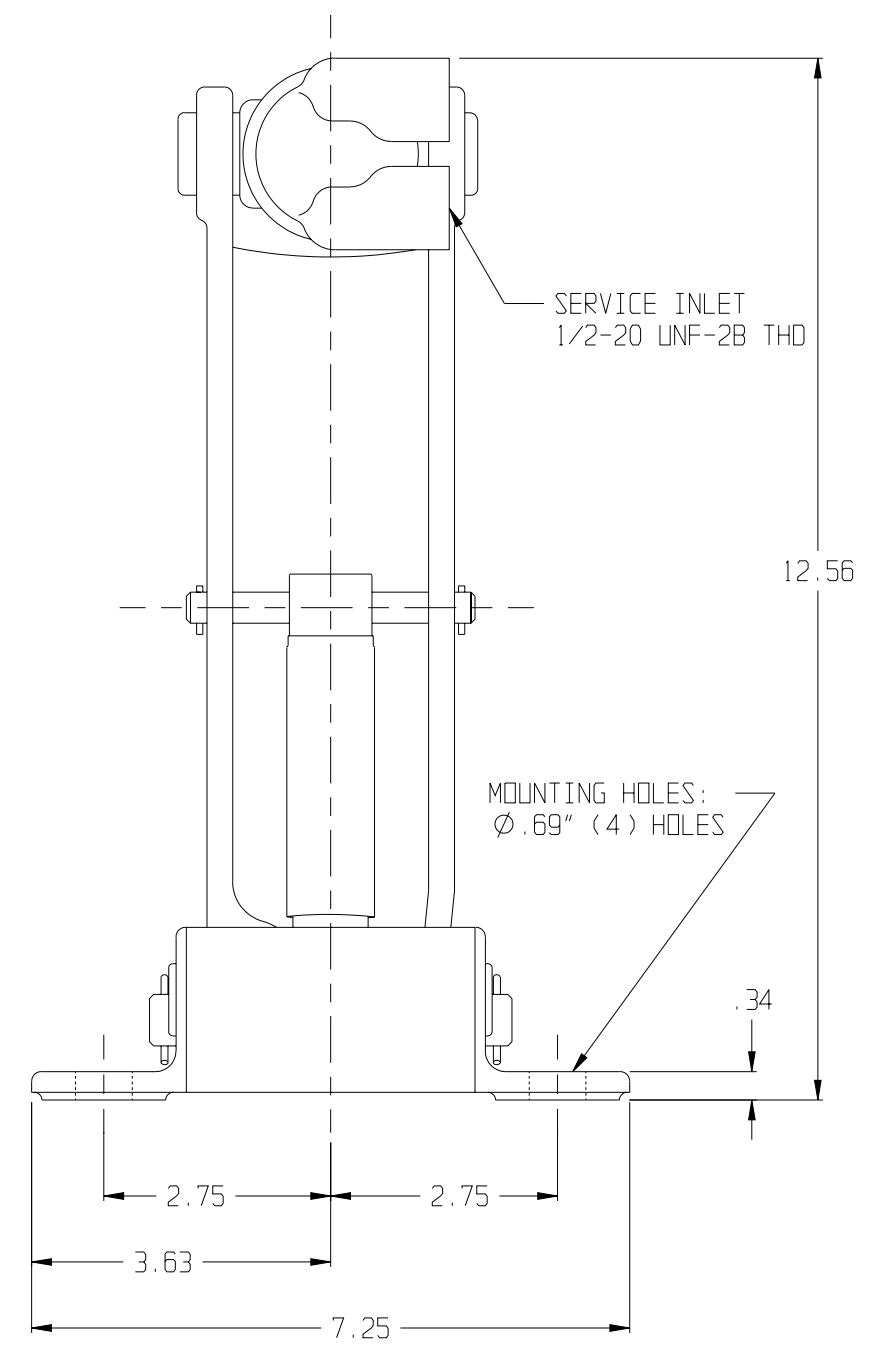
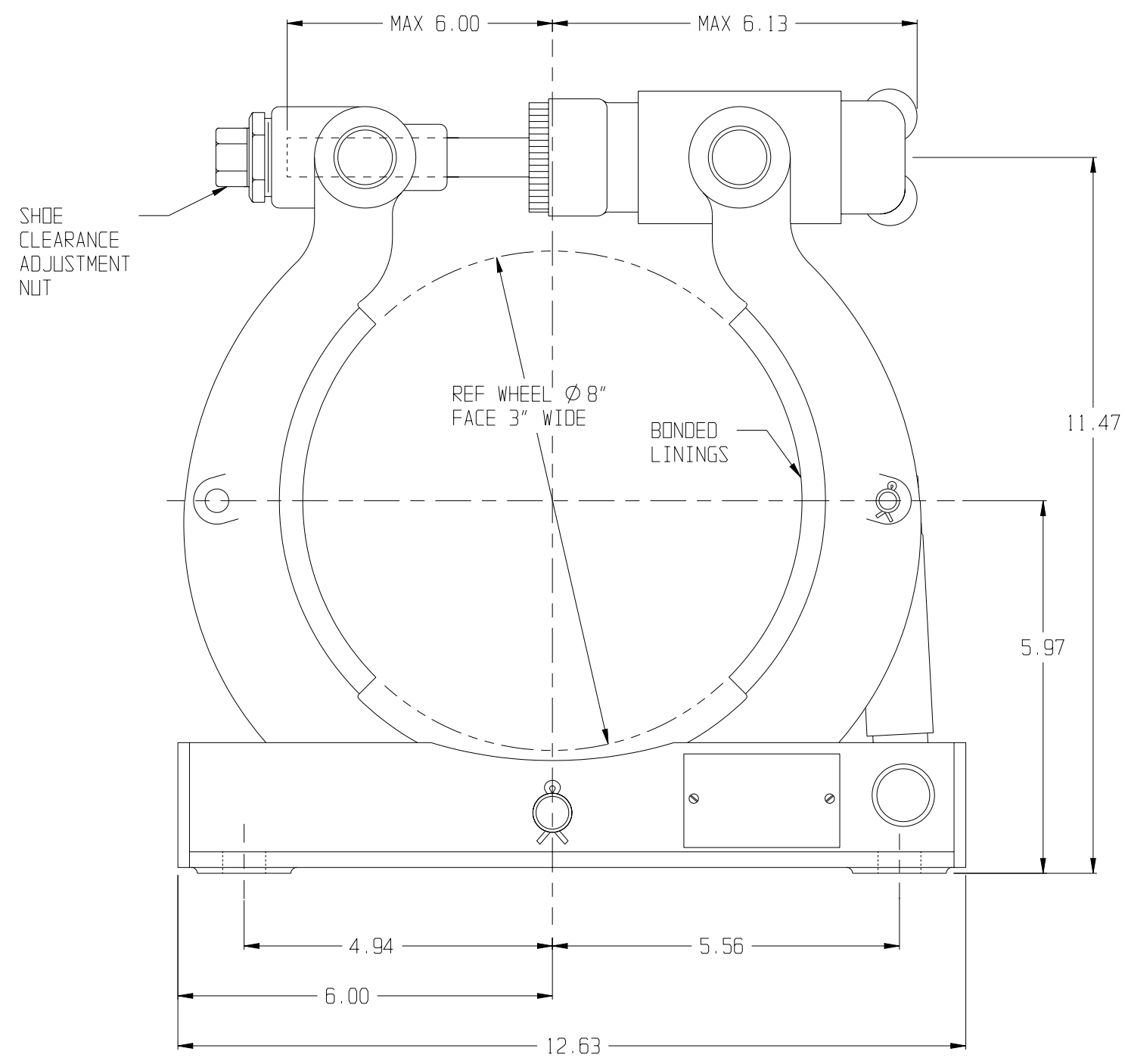


REVISIONS			
REV	DESCRIPTION	DATE	BY



NOTES:

- BRAKE WEIGHT W/O WHEEL: 30 LBS.
- FINISH: GRAY PRIMER.
- ALL DIMENSIONS ARE APPROXIMATE UNLESS OTHERWISE NOTED.

THIRD ANGLE PROJECTION 	This drawing or material is submitted to you in trust and confidence and is understood that the material shall never be used in any manner detrimental to our company.	DR: AMB DATE: 6/28/95 APP:	TITLE DIMENSION DRAWING 8" BRAKE TYPE H J002779	
	PATRIOT Sensors & Controls Corporation 6380 BROCKWAY ROAD PECK, MICHIGAN 48466	DATE: 5/8 SCALE: 5/8 F.O. NO.: 8070	DRAWING NO.: PD-0072600 REV. 0 SIZE C	S.O. NO.