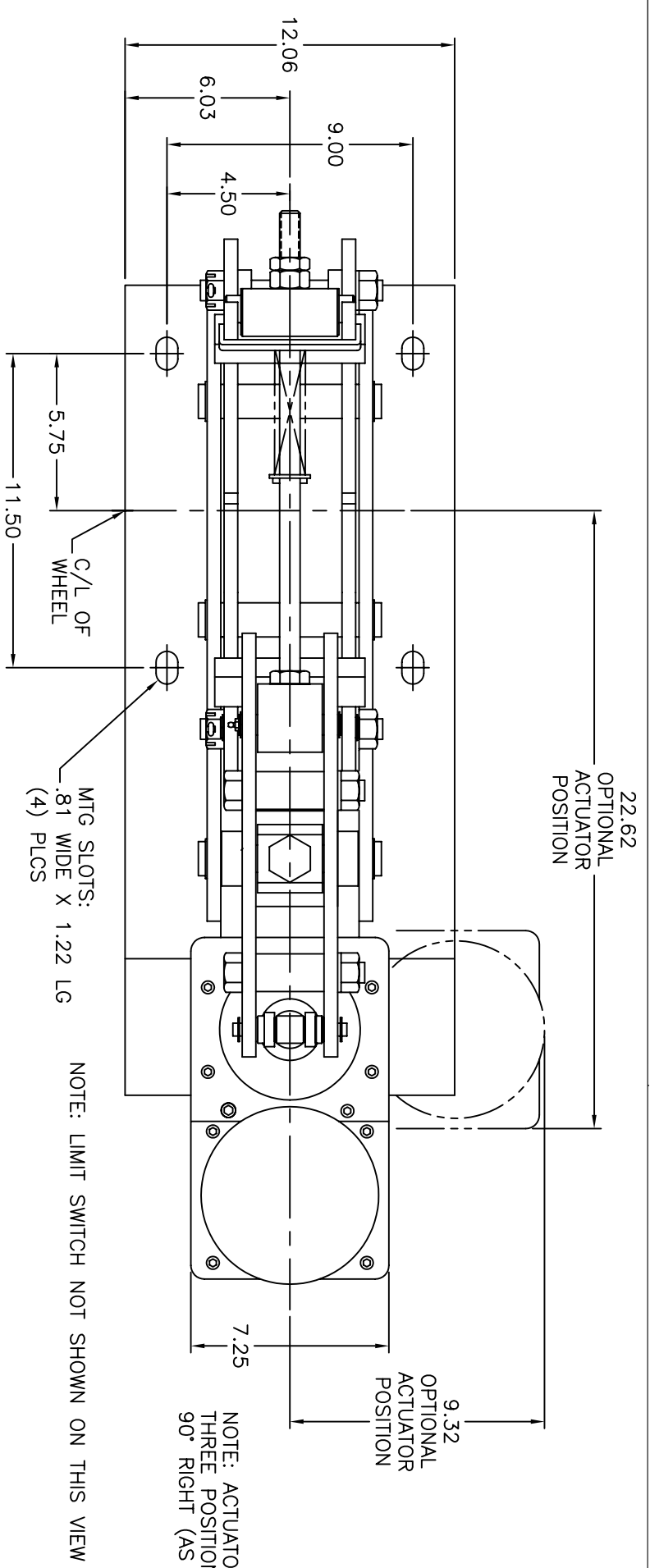
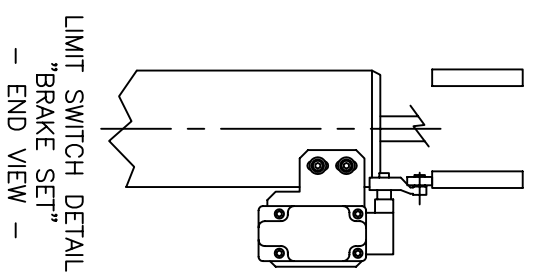
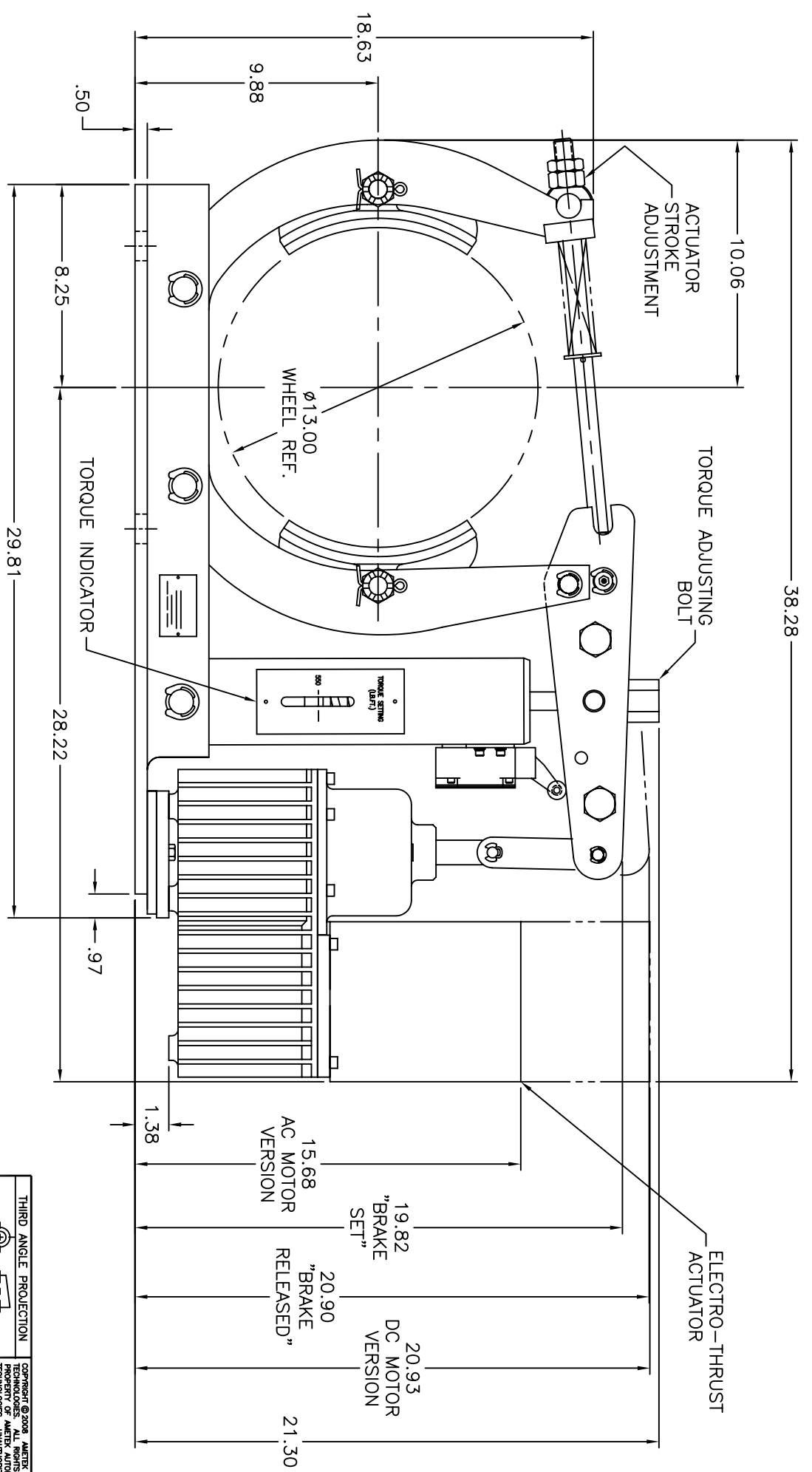


REV.	DESCRIPTION	REVISION	DATE	BY



NOTE: ACTUATOR AVAILABLE IN THREE POSITIONS: INLINE (AS SHOWN), ROTATED 90° RIGHT (AS SHOWN), OR ROTATED 90° LEFT



NOTE:
STANDARD TORQUE RATING: 550 LB.FT.

CERTIFIED PRINT
BY: Glenn Loding
Date: 04/10/08

THIRD ANGLE PROJECTION	DR. J.S.B.	TITLE
SURFACE FINISH 93	DATE 03/13/08	DIMENSION DRAWING
UNLESS OTHERWISE SPECIFIED TOLERANCE ALLOWANCE	APP. G.S.L.	ET13 BRAKE WITH
UNLESS OTHERWISE SPECIFIED TOLERANCE ALLOWANCE	DATE 03/13/08	"BRAKE SET" LIMIT SW.
UNLESS OTHERWISE SPECIFIED TOLERANCE ALLOWANCE	SCALE	DRAWING NO.
UNLESS OTHERWISE SPECIFIED TOLERANCE ALLOWANCE	1/4	PD-0075502
UNLESS OTHERWISE SPECIFIED TOLERANCE ALLOWANCE		REV. SIZE
UNLESS OTHERWISE SPECIFIED TOLERANCE ALLOWANCE		0 C

Copyright © 2008 AMETEK AUTOMATION & PROCESS TECHNOLOGIES. ALL RIGHTS RESERVED. THIS DRAWING IS THE PROPERTY OF AMETEK AUTOMATION & PROCESS TECHNOLOGIES. UNAUTHORIZED USE, REPRODUCTION OR DISTRIBUTION IS STRICTLY PROHIBITED BY FEDERAL LAW.

AMETEK
AUTOMATION & PROCESS TECHNOLOGIES
Clawson, MI 48017 U.S.A.