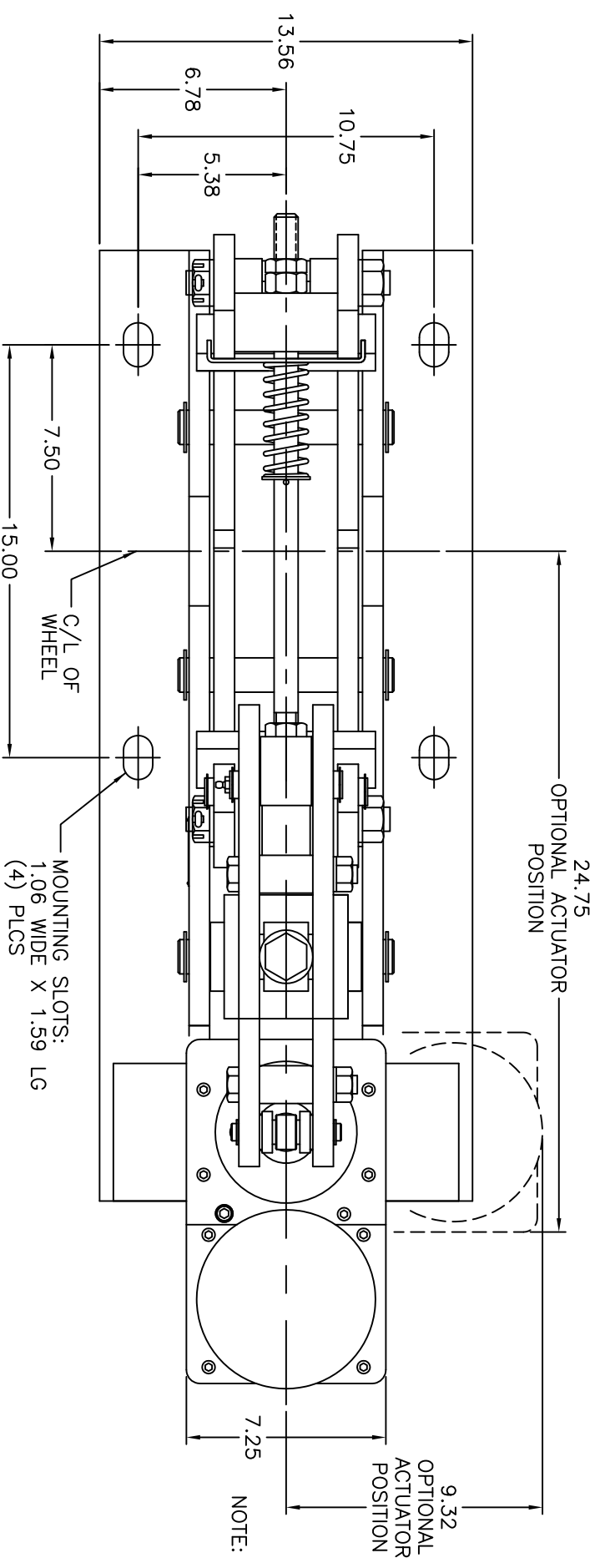
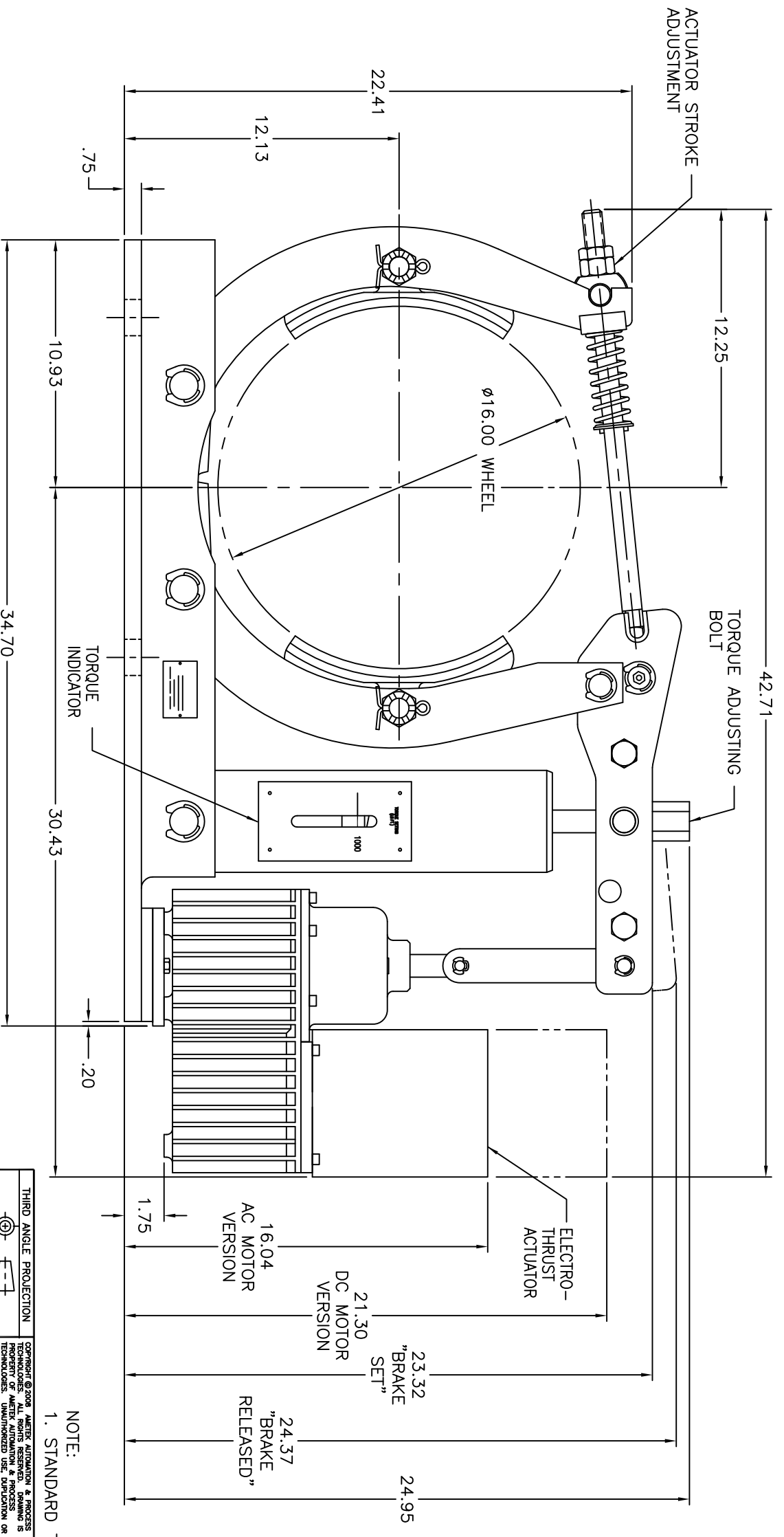


REV.	DESCRIPTION	REVISION	DATE	BY
A	UPDATED DRAWING BORDER		6/04/08	J.S.B.



NOTE:
ACTUATOR AVAILABLE
IN THREE POSITIONS: INLINE, ROTATED
90° RIGHT, OR ROTATED 90° LEFT.
SHOWN AT INLINE AND 90° RIGHT
POSITIONS.



NOTE:
1. STANDARD TORQUE RATING: 1000 LB.FT.

THIRD ANGLE PROJECTION		COPYRIGHT © 2008 AMETEK AUTOMATION & PROCESS TECHNOLOGIES. ALL RIGHTS RESERVED. DRAWING IS PROPERTY OF AMETEK AUTOMATION & PROCESS TECHNOLOGIES. DISTRIBUTION IS STRICTLY PROHIBITED BY FEDERAL LAW.	DR. J.S.B.	TITLE
SURFACE FINISH			DATE 6/10/96	DIMENSION DRAWING
TOLERANCE ALLOWANCE			APP. G.S.L.	ET16 BRAKE
UNLESS OTHERWISE SPECIFIED:			DATE 6/04/08	DRAWING NO. PD-0079300
+/- .0010 ON 3 PLACE DECIMALS			SCALE 1/4	REV. SIZE A C
+/- .0005 ON 4 PLACE DECIMALS				
+/- .30 MIN. ON ALL ANGLES				

AMETEK
AUTOMATION & PROCESS TECHNOLOGIES
Clawson, MI 48017 U.S.A.