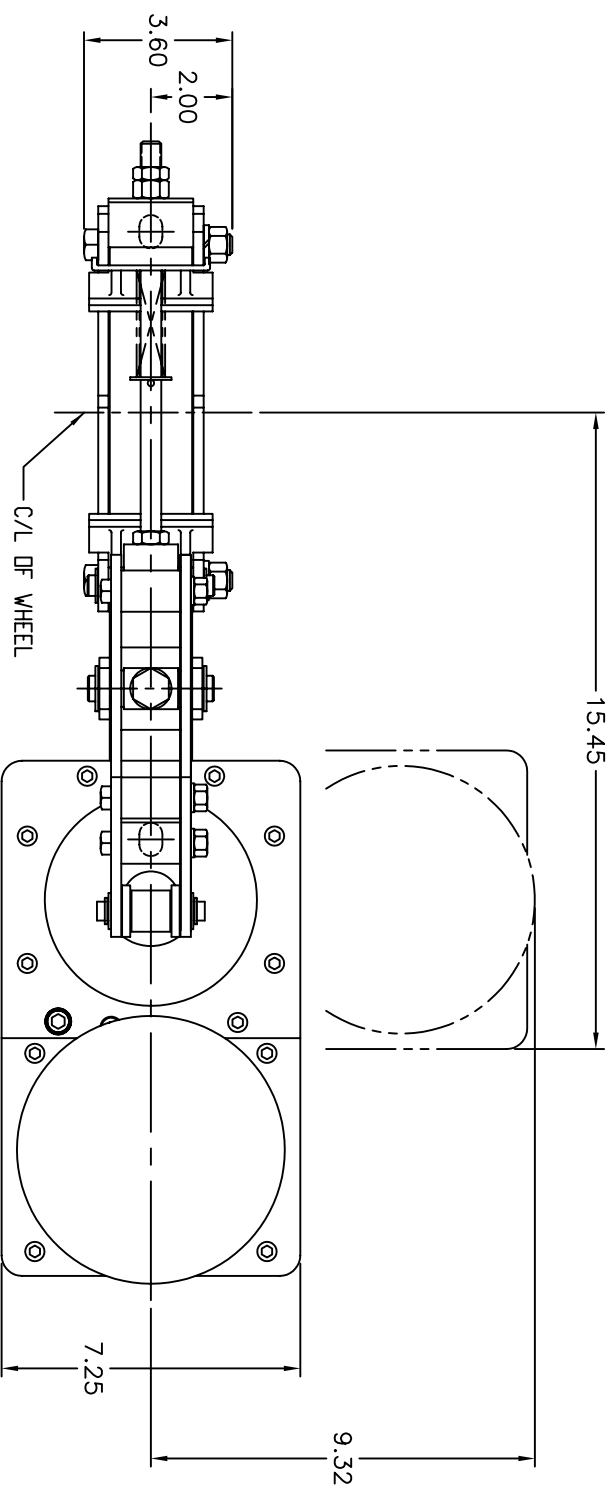
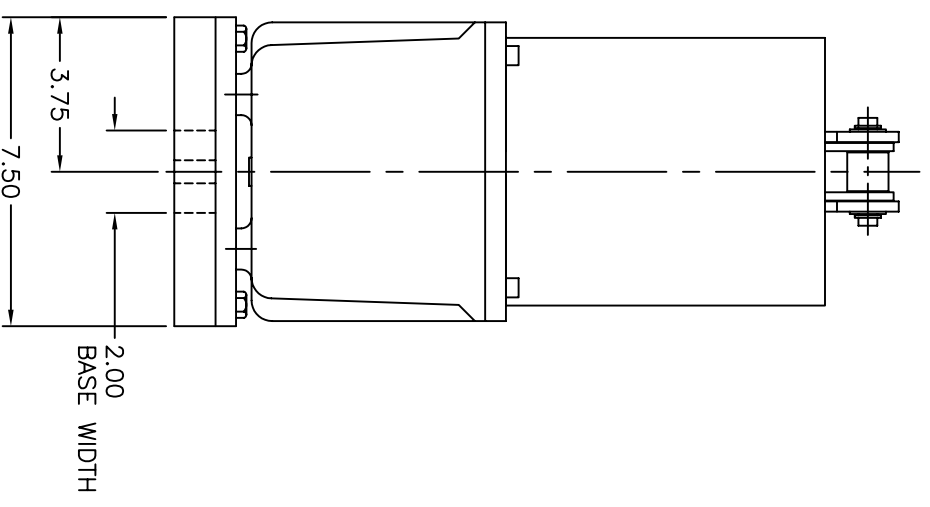
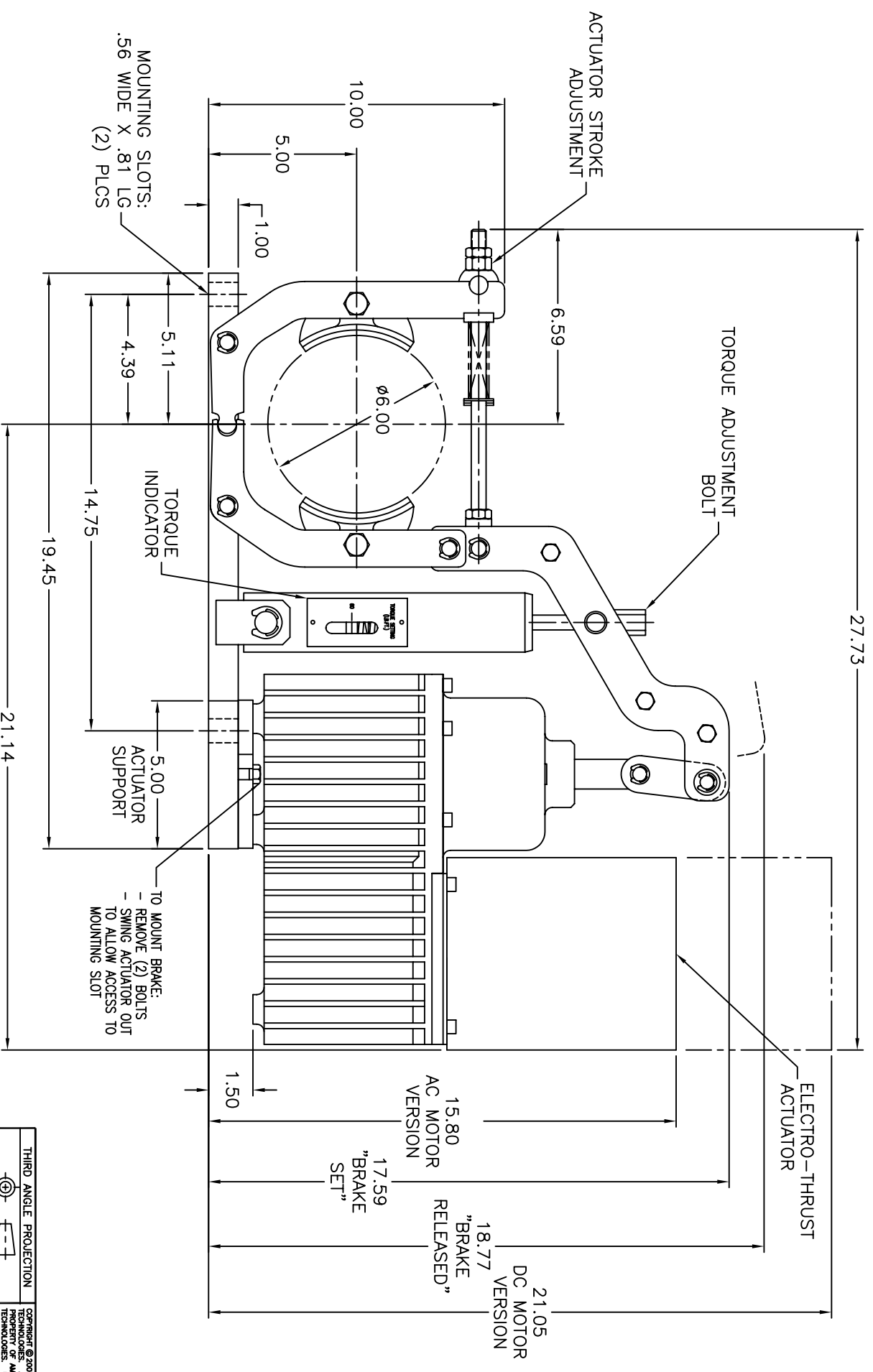


REV.	DESCRIPTION	DATE	BY
A	UPDATED DRAWING BORDER	4/10/07	J.S.B.



NOTE: ACTUATOR AVAILABLE IN THREE POSITIONS: "INLINE", "ROTATED 90° RIGHT", OR "ROTATED 90° LEFT". SHOWN AT "INLINE" AND "ROTATED 90° RIGHT" POSITIONS.



MOUNTING SLOTS:
.56 WIDE X .81 LG
(2) PLCS

TO MOUNT BRAKE:
- REMOVE (2) BOLTS
- SWING ACTUATOR OUT
TO ALLOW ACCESS TO
MOUNTING SLOT

NOTE:
1. STANDARD TORQUE RATING: 60 LB.FT.

THIRD ANGLE PROJECTION	UNLESS OTHERWISE SPECIFIED	TOLERANCE ALLOWANCE UNLESS OTHERWISE SPECIFIED: ±.0010 ON 3 PLACE DECIMALS ±.00005 ON 4 PLACE DECIMALS +/- .30 MIN. ON ALL ANGLES	SURFACE FINISH E3
COPYRIGHT © 2007 AMETEK AUTOMATION & PROCESS TECHNOLOGIES. ALL RIGHTS RESERVED. DRAWING IS PROPERTY OF AMETEK AUTOMATION & PROCESS TECHNOLOGIES. DISTRIBUTION IS STRICTLY PROHIBITED BY FEDERAL LAW.			
AMETEK AUTOMATION & PROCESS TECHNOLOGIES Clawson, MI 48017 U.S.A.		DR. J.S.B. DATE 3/19/96 APP. G.S.L. DATE 4/10/07 SCALE	TITLE DIMENSION DRAWING ET6NA BRAKE
DRAWING NO. PD-0077900		REV. SIZE	A C