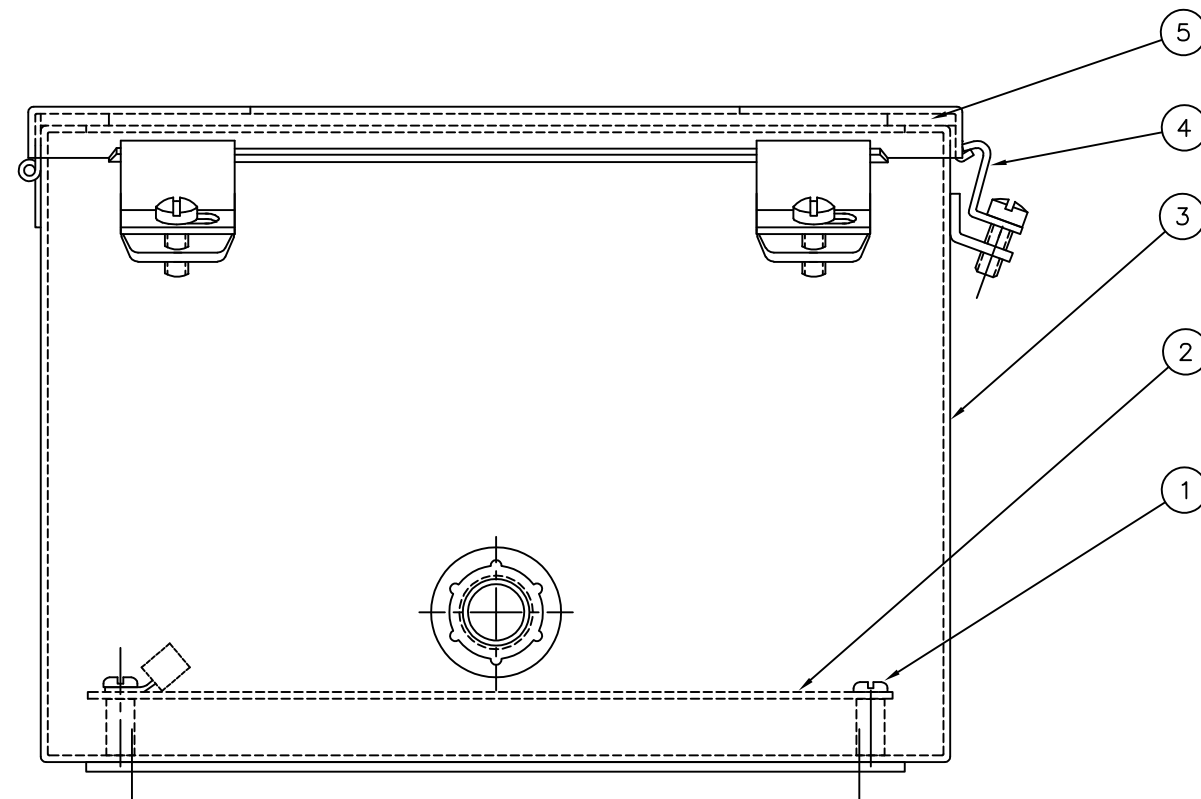
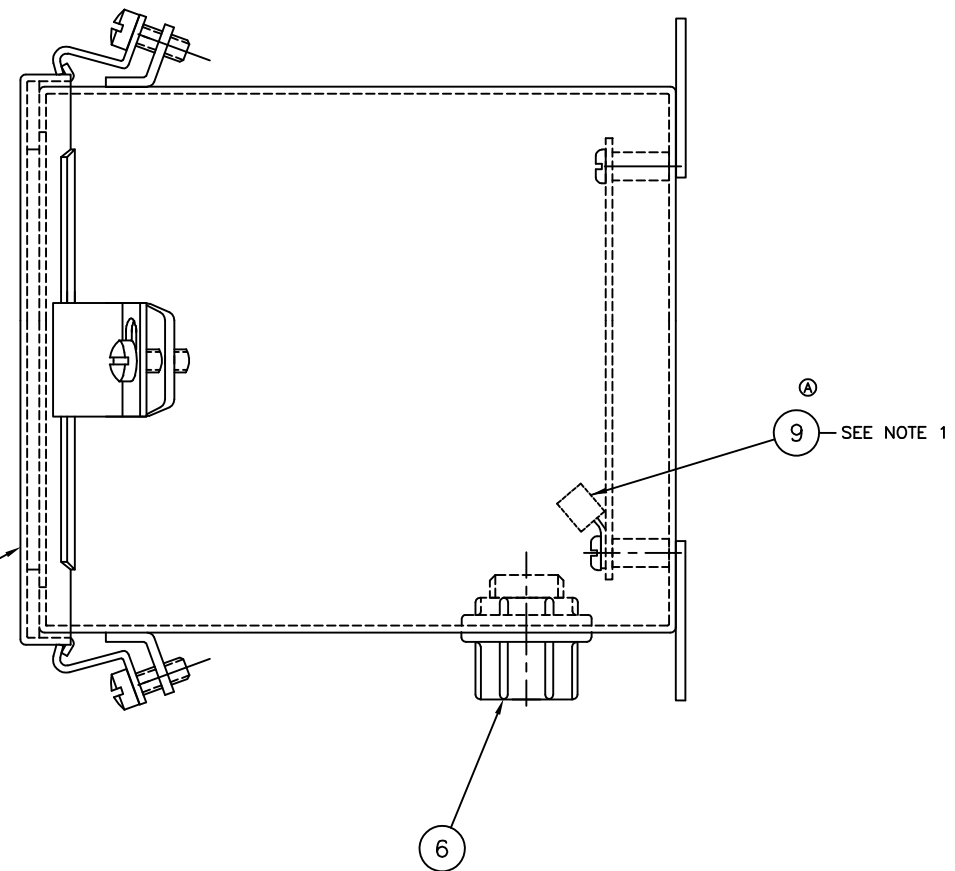
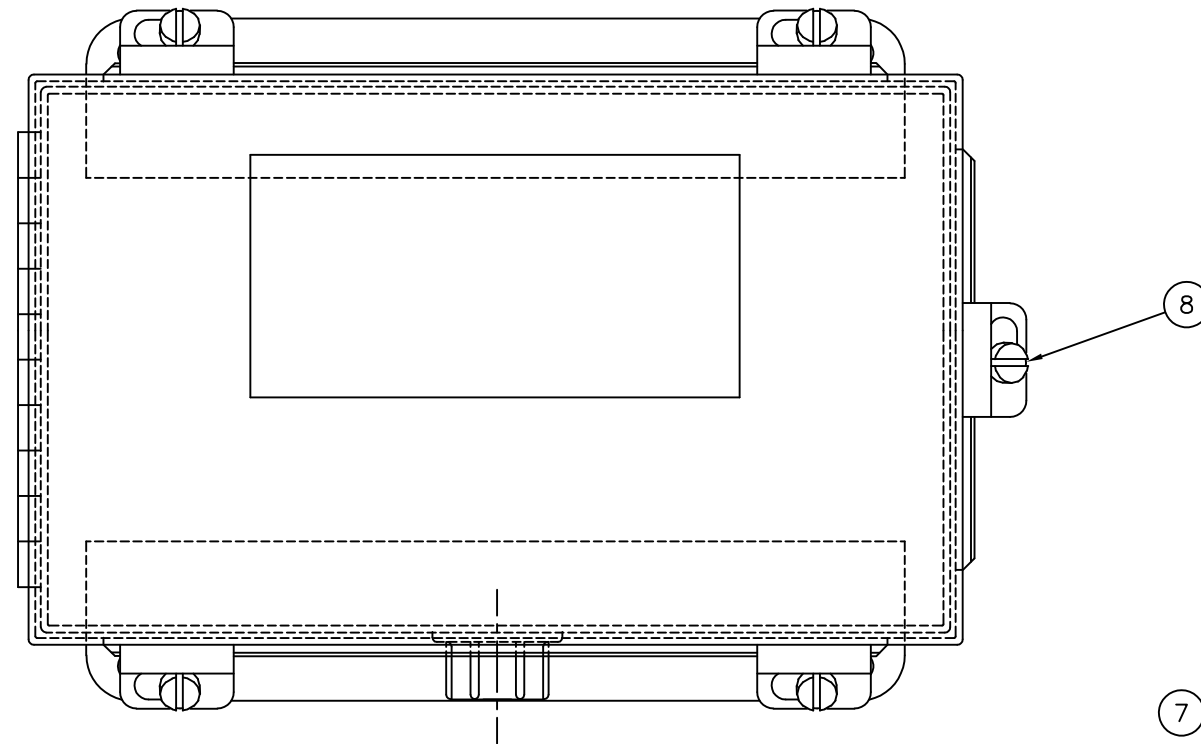


REV.	DESCRIPTION	DATE	BY
A	ADDED ITEM 9 AND NOTE	1/24/97	WAK
B	ADDED NOTE #2	1/25/01	J.A.T.
C	ADDED NOTE #3, & ITEMS 10, 11, & 12.	5/7/01	J.A.T.



NOTES: UNLESS OTHERWISE SPECIFIED

1. ATTACH TERMINAL (ITEM 9) TO GROUND WIRE FROM 2100 SERIES UNIT & TO LOWER LEFT HAND PLATE MOUNTING SCREW - CHECK CONTINUITY
- ⓑ 2. ITEMS 2, 3, & 7 MAKE UP P/N SD0490150.
- ⓒ 3. ITEMS 10,11, & 12 ARE TO BE BAGGED AND SHIPPED WITH ENCLOSURE.

ITEM	PART NUMBER	DESCRIPTION	QTY
12	04563001	LOCKWASHER SPLIT 1/4" MED STL PLTD	8
11	04562003	NUT HEX 1/4-20 STL PLTD	8
10	04530021	MOUNTING FOOT RUBBER - LORD J-4624-32	4
9	04518025	TERMINAL RING NO. 10	1
8	04560644	FILLISTER HD SCREW 1/4-28 X 5/8	5
7	C0957500	COVER	1
6	04567007	CONDUIT HUB	1
5	04568003	GASKET	2.5 FT.
4	S0066700	COVER LATCH	5
3	C0957400	ENCLOSURE	1
2	C0957300	MOUNTING PLATE	1
1	04560002	PAN HD SCREW #10-32 X 3/8	4

ITEM	PART NUMBER	DESCRIPTION	QTY
THIRD ANGLE PROJECTION		DR. GRD	TITLE
<small>TOLERANCE ALLOWANCE UNLESS OTHERWISE SPECIFIED: +/- 0.010 ON 2 PLACE DECIMALS +/- 0.005 ON 3 PLACE DECIMALS +/- 0.005 ON 4 PLACE DECIMALS +/- .30 MM ON ALL ANGLES</small>		DATE 6/28/98 APP.	ENCLOSURE ASSY N4 & 12 10 X 6 X 7 2110 SHUT HGT MONITOR
<small>COPYRIGHT © 2001, AMETEK PATRIOT SENSORS. ALL RIGHTS RESERVED. DIVISION IS PROPERTY OF AMETEK PATRIOT SENSORS. UNAUTHORIZED USE, REPLICATION OR DISTRIBUTION IS STRICTLY PROHIBITED BY FEDERAL LAW.</small>		DATE	DRAWING NO.
AMETEK Patriot Sensors Clawson, MI 48017 U.S.A.		SCALE	REV. SIZE
		FULL	SD0490100 C D