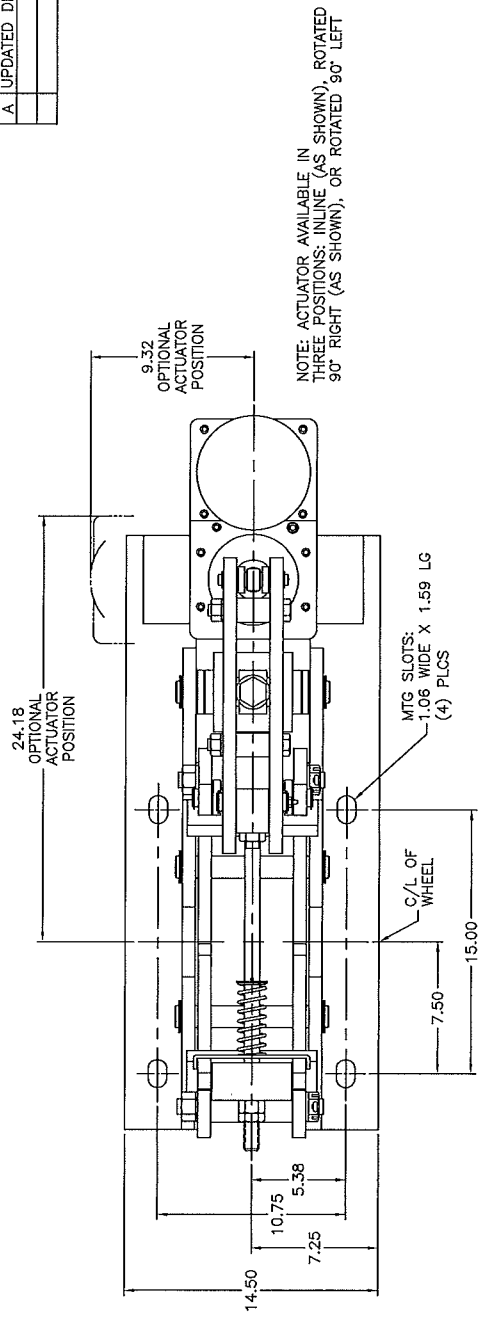
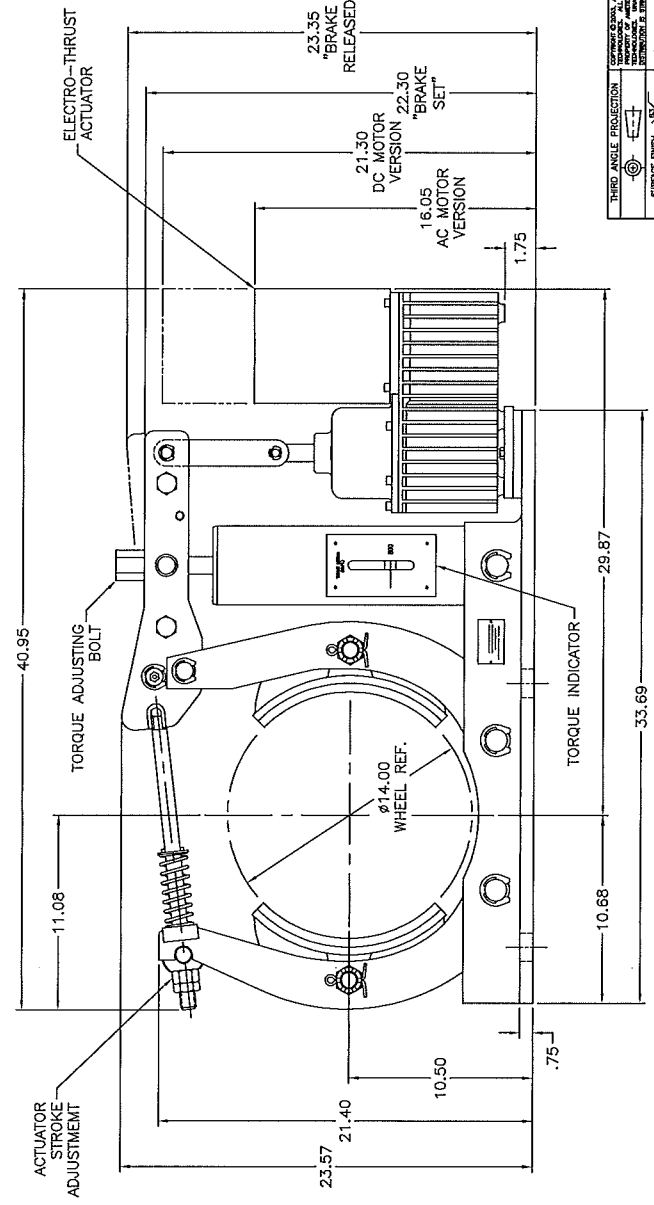


REV.	DESCRIPTION	DATE	BY
A	UPDATED DRAWING BORDER	12/18/03	J.S.B.



NOTE: ACTUATOR AVAILABLE IN
THREE POSITIONS: INLINE (AS SHOWN), ROTATED
90° RIGHT (AS SHOWN), OR ROTATED 90° LEFT



NOTE:
STANDARD TORQUE RATING: 800 LB.FT.

THIRD ANGLE PROJECTION	DR. J.S.B.	TITLE
	DATE 9/19/97	DIMENSION DRAWING
	APP. J.S.B.	ET114NA BRAKE
	DATE 12/19/03	DRAWING NO.
	SCALE	7/32
	AUTOMATION & PROCESS TECHNOLOGIES CHEWSEBURY, MI 48817 U.S.A.	DRAWING NO. PD-0079200
	CHEWSEBURY, MI 48817 U.S.A.	REV. SIZE A C