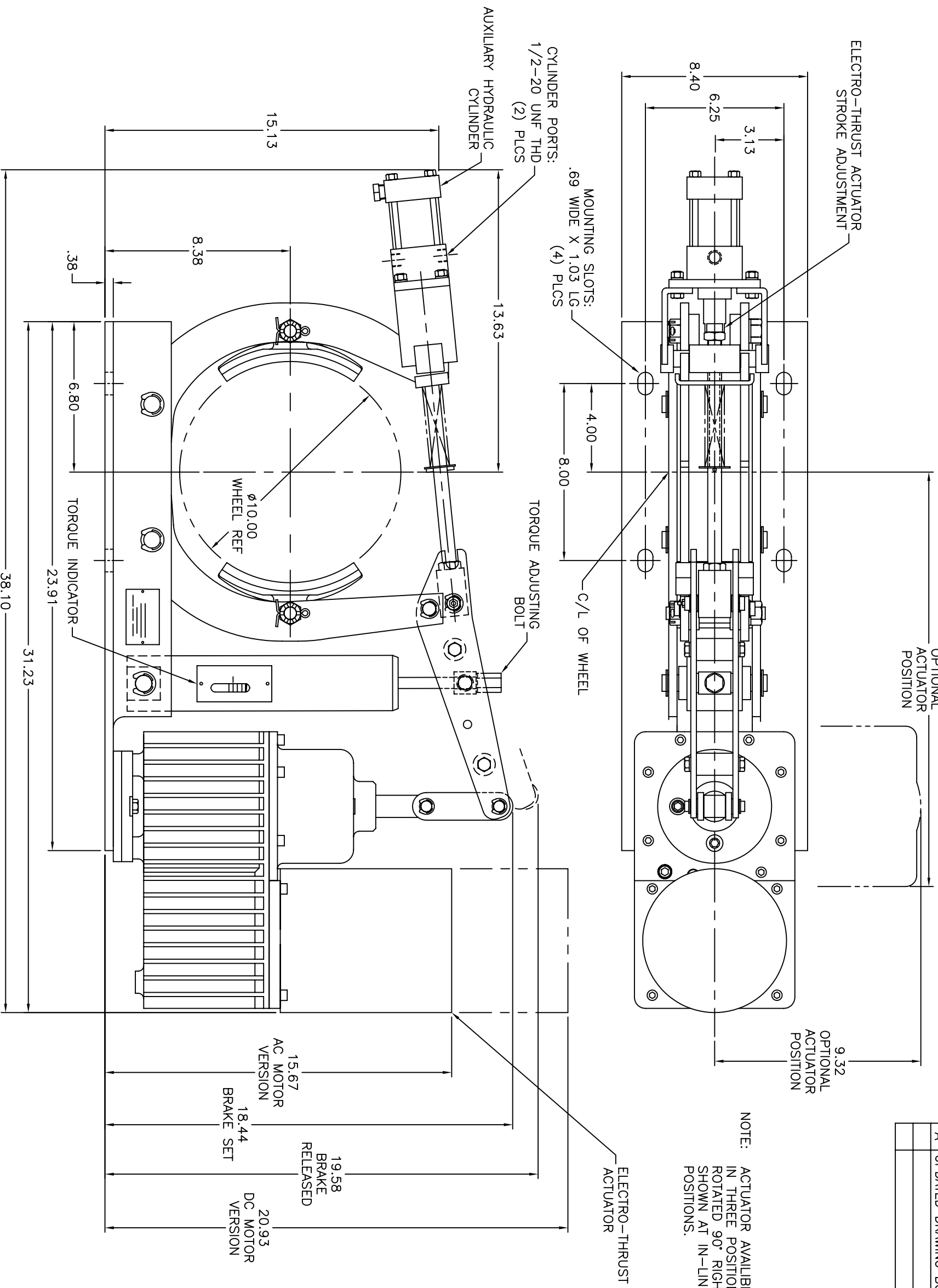


REV.	DESCRIPTION	DATE	BY
A	UPDATED DRAWING BORDER	12/09/03	J.S.B.

18.75
OPTIONAL
ACTUATOR
POSITION

9.32
OPTIONAL
ACTUATOR
POSITION

NOTE: ACTUATOR AVAILABLE IN THREE POSITIONS: IN-LINE, ROTATED 90° RIGHT, OR ROTATED 90° LEFT. SHOWN AT IN-LINE AND 90° RIGHT POSITIONS.



STANDARD TORQUE RATING: 200 LB.FT.

THIRD ANGLE PROJECTION		DR. J.S.B.		TITLE	
SURFACE FINISH		DATE 07/29/96		DIMENSION DRAWING	
TOLERANCE ALLOWANCE		APP. J.S.B.		ETH10 BRAKE	
UNLESS OTHERWISE SPECIFIED:		DATE 12/09/03		DRAWING NO.	
+/- 0.010 ON 2 PLACE DECIMALS		SCALE		PD-0082100	
+/- 0.005 ON 3 PLACE DECIMALS		5/16		REV. SIZE	
+/- .50 MIN. ON ALL ANGLES		AUTOMATION & PROCESS TECHNOLOGIES		A C	
		Clawson, MI 48017 U.S.A.			