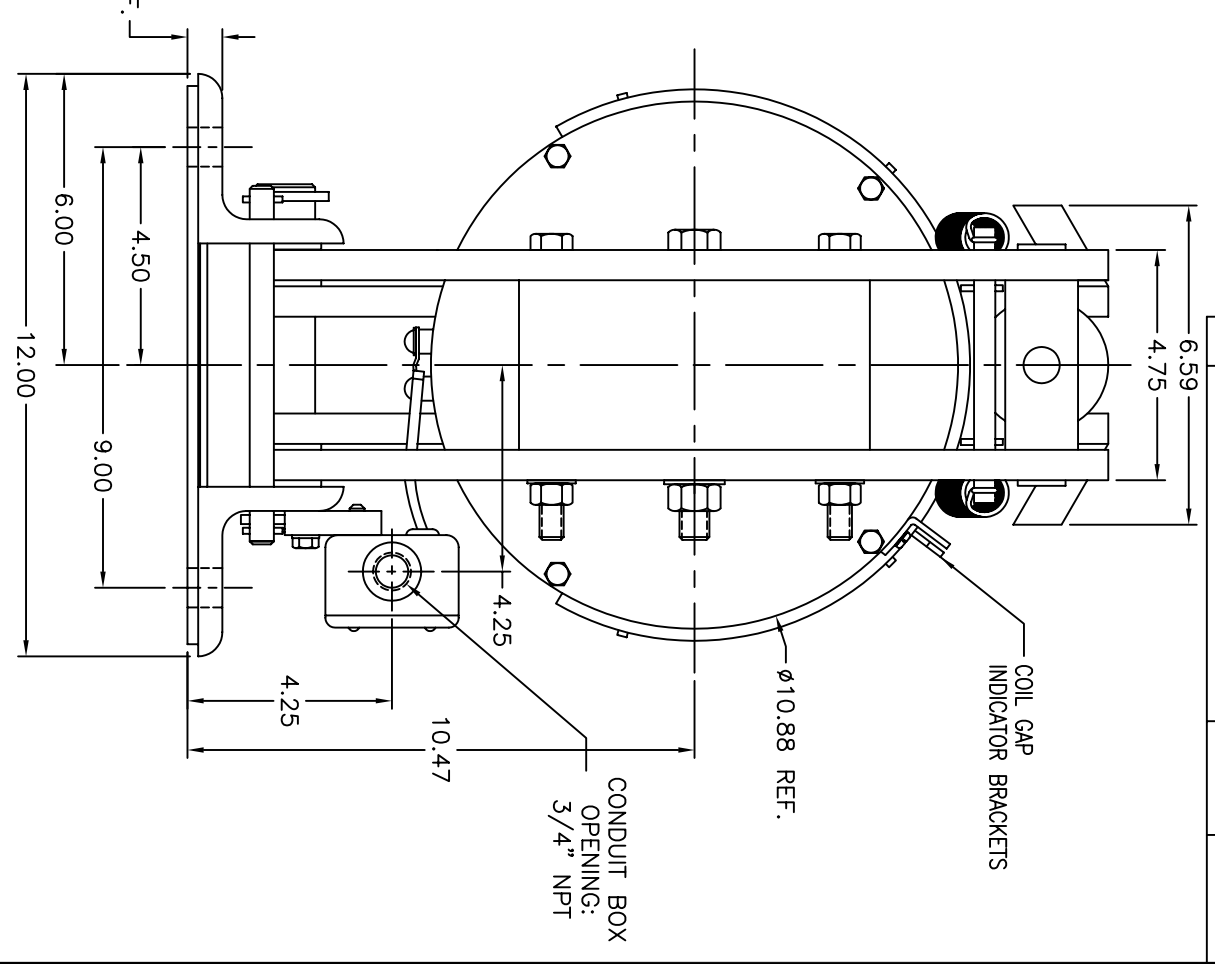
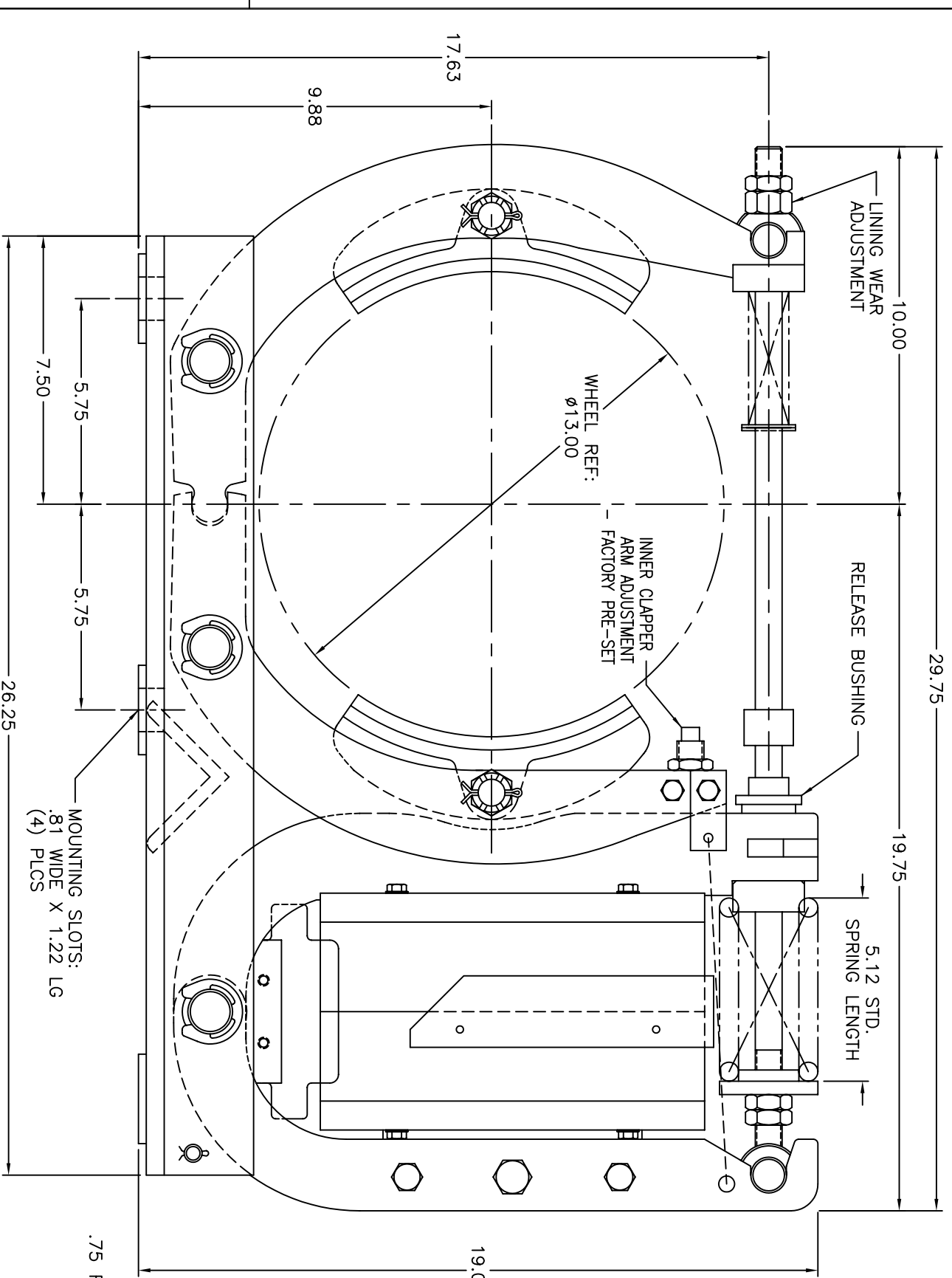
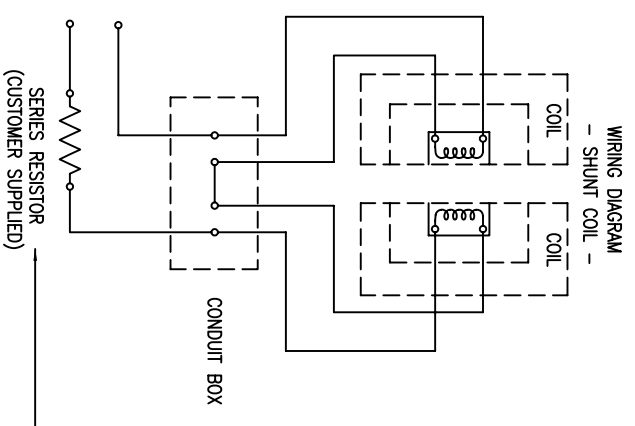


REV.	DESCRIPTION	REVISION	DATE	BY
A	UPDATED DRAWING BORDER		12/19/03	J.S.B.



NON-STANDARD TORQUE RATINGS	
TORQUE LB.FT.	MAIN SPRING LENGTH (INCHES)
365	5.44
400	5.38

COIL DATA - SHUNT OPERATION		
	CONTINUOUS OPERATION	INTERMITTENT OPERATION
VOLTS DC	32	40
AMPS	1.68	2.1
RESISTOR REQ'D 250VDC (OHMS)	111	81



NOTES:

- STANDARD TORQUE RATING: 550 LB.FT. (MAIN SPRING LENGTH OF 5.12")
- NORMAL MAGNET TRAVEL: .13"
- WEIGHT OF BRAKE W/O WHEEL: 290 LBS.
- STANDARD RIGHT HAND MOUNTING SHOWN. FOR LEFT HAND MOUNTING, POSITIONS OF CONDUIT BOX AND SHOE BOLT HEADS ARE REVERSED.

THIRD ANGLE PROJECTION	DR. A.M.B.	TITLE
UNLESS OTHERWISE SPECIFIED: SURFACE FINISH: 63/	DATE 09/24/95	DIMENSION DRAWING
ESSENTIALS SPECIFIED: UNLESS OTHERWISE SPECIFIED: .010 ON 3 PLACE DECIMALS +/- .0005 ON 4 PLACE DECIMALS +/- .30 MIN. ON ALL ANGLES	APP. G.S.L.	TMSC13 BRAKE
METEK AUTOMATION & PROCESS TECHNOLOGIES Clawson, MI 48017 U.S.A.		DRAWING NO. PD-0073700
SCALE 3/8	DATE 12/19/03	REV. SIZE A C