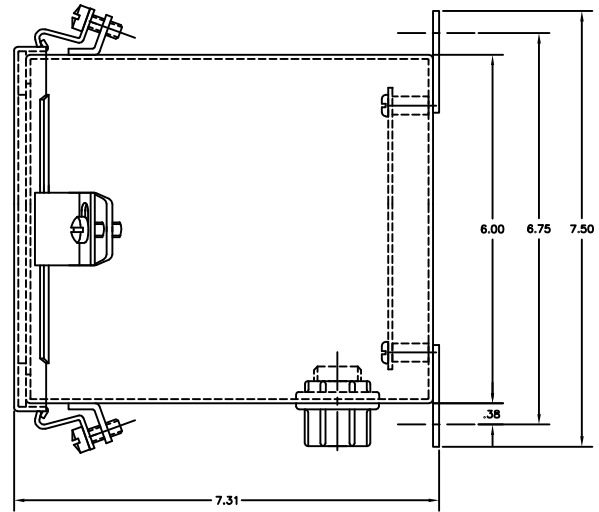


REV.	DESCRIPTION	DATE	BY



THIRD ANGLE PROJECTION 	<small>FOR DIMENSIONS IN MILLIMETERS TO BE SHOWN ON THIS DRAWING, THE DIMENSIONS MUST BE SHOWN IN MILLIMETERS AND NOT IN INCHES.</small>	DR. GRD DATE: 6/28/94	TITLE DIMENSION DWG. ENCLOSURE ASS'Y N4 10 X 6 X 7
		DATE SCALE FULL	DRAWING NO. D0233400