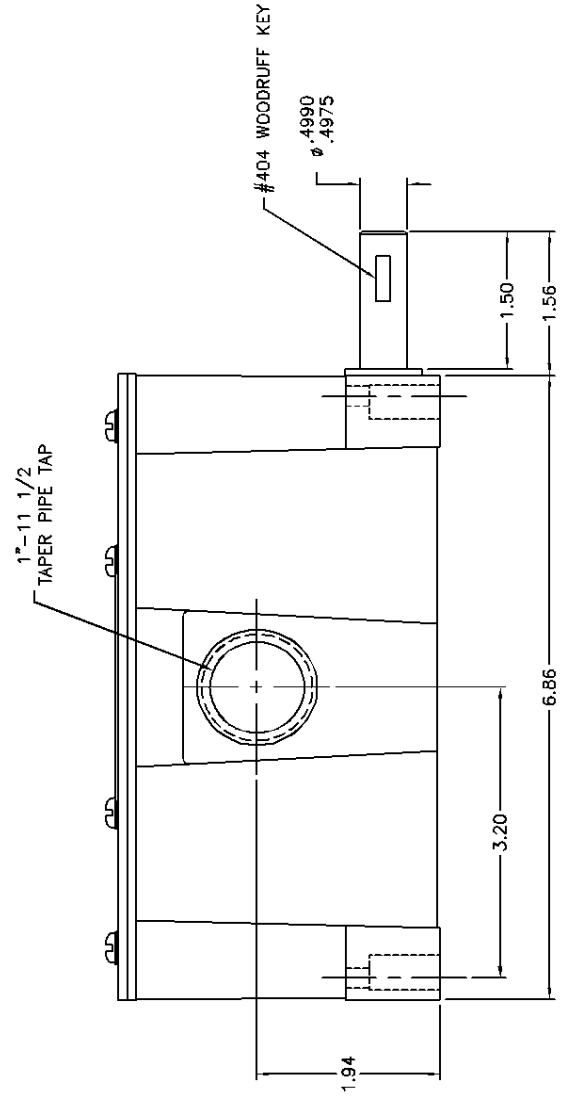
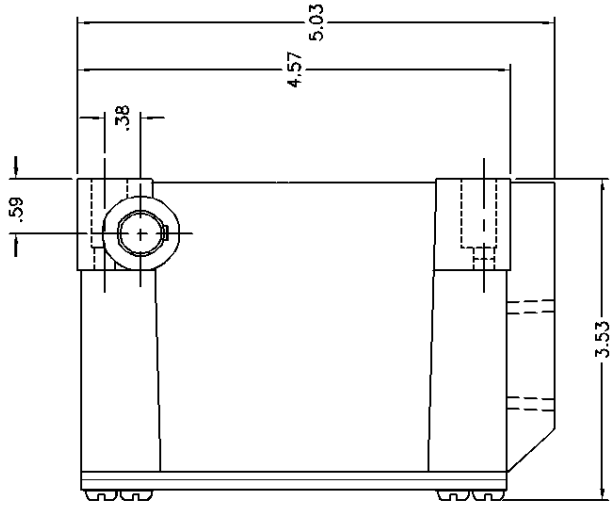
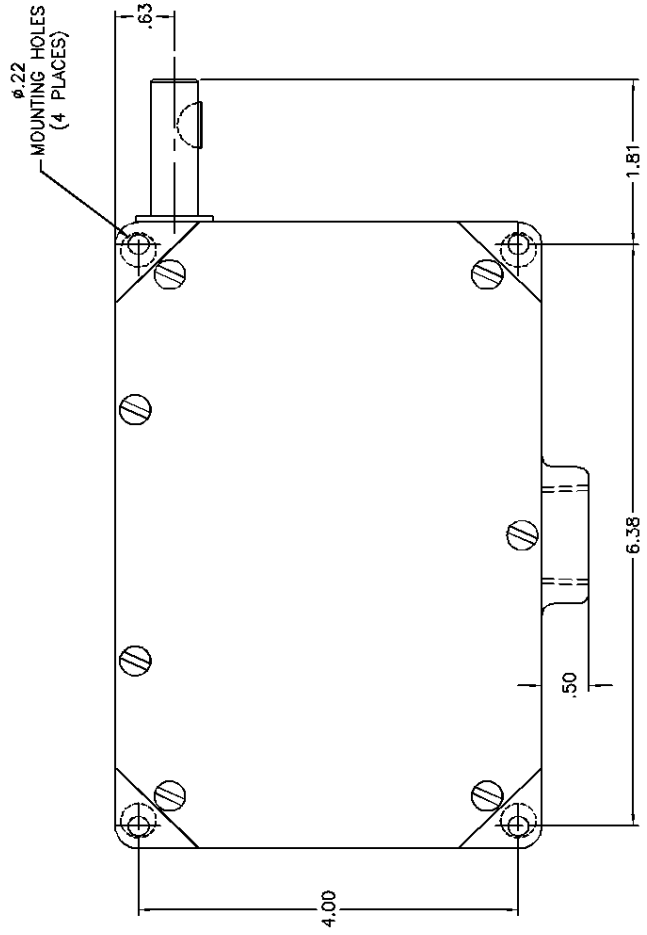


REV.	DESCRIPTION	DATE	BY
C	REDRAWN TO CAD, UPDATED BORDER	9/03/03	J.S.B.



FINISH: PAINT PER FSND004

THIRD ANGLE PROJECTION	DR. G.C.I.K.	TITLE
	DATE 12/08/80	ROTARY LIMIT SWITCH
SURFACE FINISH UNLESS OTHERWISE SPECIFIED .0010 ON 3 PLACE DECIMALS .0005 ON 4 PLACE DECIMALS .0002 ON 5 PLACE DECIMALS .0001 ON ALL ANGLES	APP. GSL	2006 SERIES NEMA 4
UNLESS OTHERWISE SPECIFIED .0010 ON 3 PLACE DECIMALS .0005 ON 4 PLACE DECIMALS .0002 ON 5 PLACE DECIMALS .0001 ON ALL ANGLES	DATE 9/3/03	4 CIRCUIT UNIT
FINISH: PAINT PER FSND004 FINISH: PAINT PER FSND004	SCALE	DRAWING NO. PD-0005900
FINISH: PAINT PER FSND004 FINISH: PAINT PER FSND004	NONE	REV. SIZE C C

AMETEK  
 AUTOMATION & PROCESS TECHNOLOGIES  
 Clawson, MI 48017 U.S.A.