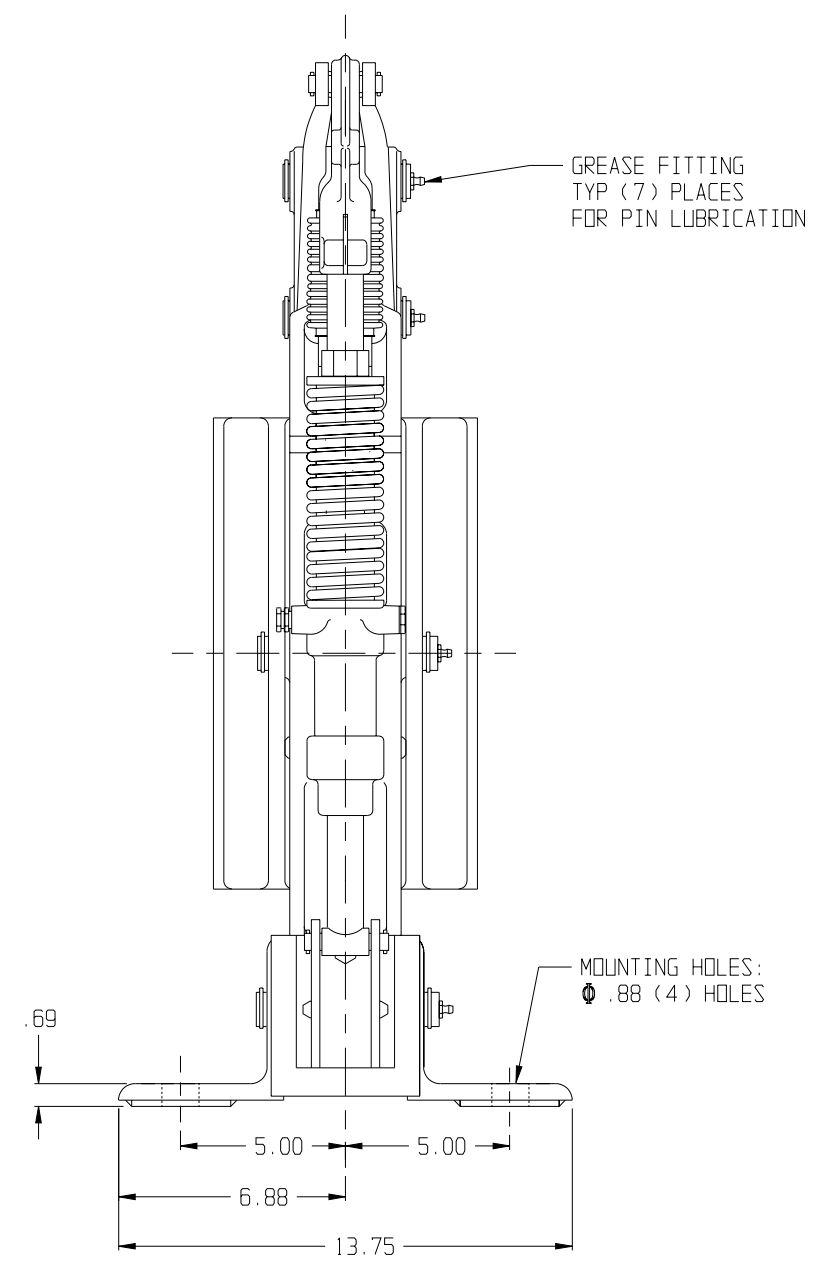
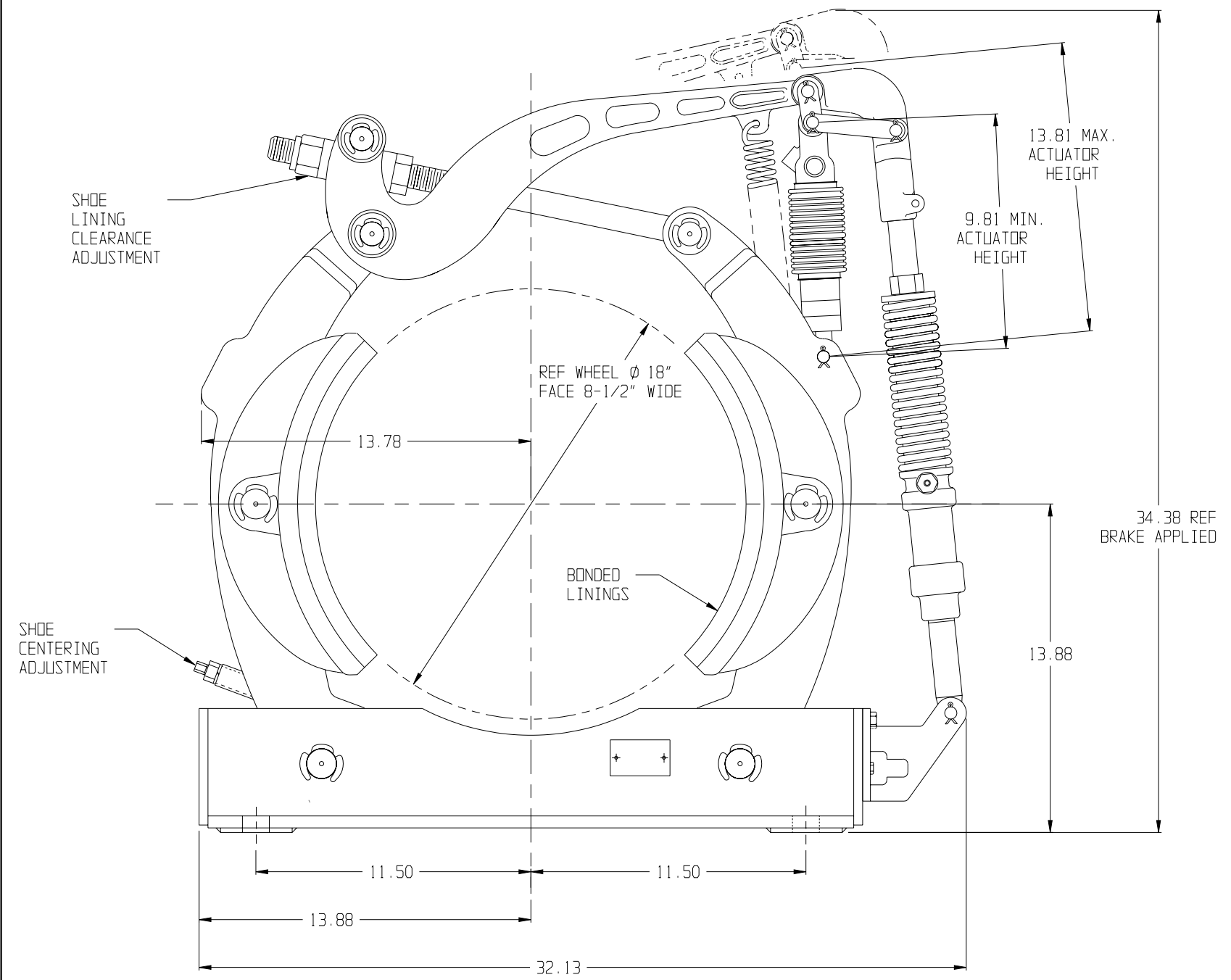


REVISIONS			
REV	DESCRIPTION	DATE	BY



- NOTES:
- BRAKE WEIGHT W/O WHEEL: 286 LBS.
 - FINISH: GRAY PRIMER.
 - DIMENSIONS ARE APPROXIMATE UNLESS OTHERWISE NOTED.

THIRD ANGLE PROJECTION 	This drawing or material is submitted to you in trust and confidence and is understood that the material shall never be used in any manner detrimental to our company.	DR. AMB DATE 6/28/95 APP.	TITLE DIMENSION DRAWING 18" BRAKE TYPE HM J040065	
	PATRIOT Sensors & Controls Corporation 6380 BROCKWAY ROAD PECK, MICHIGAN 48466	DATE SCALE 1/4 F.O. NO. 8070	DRAWING NO. PD-0071300	REV. <input type="checkbox"/>