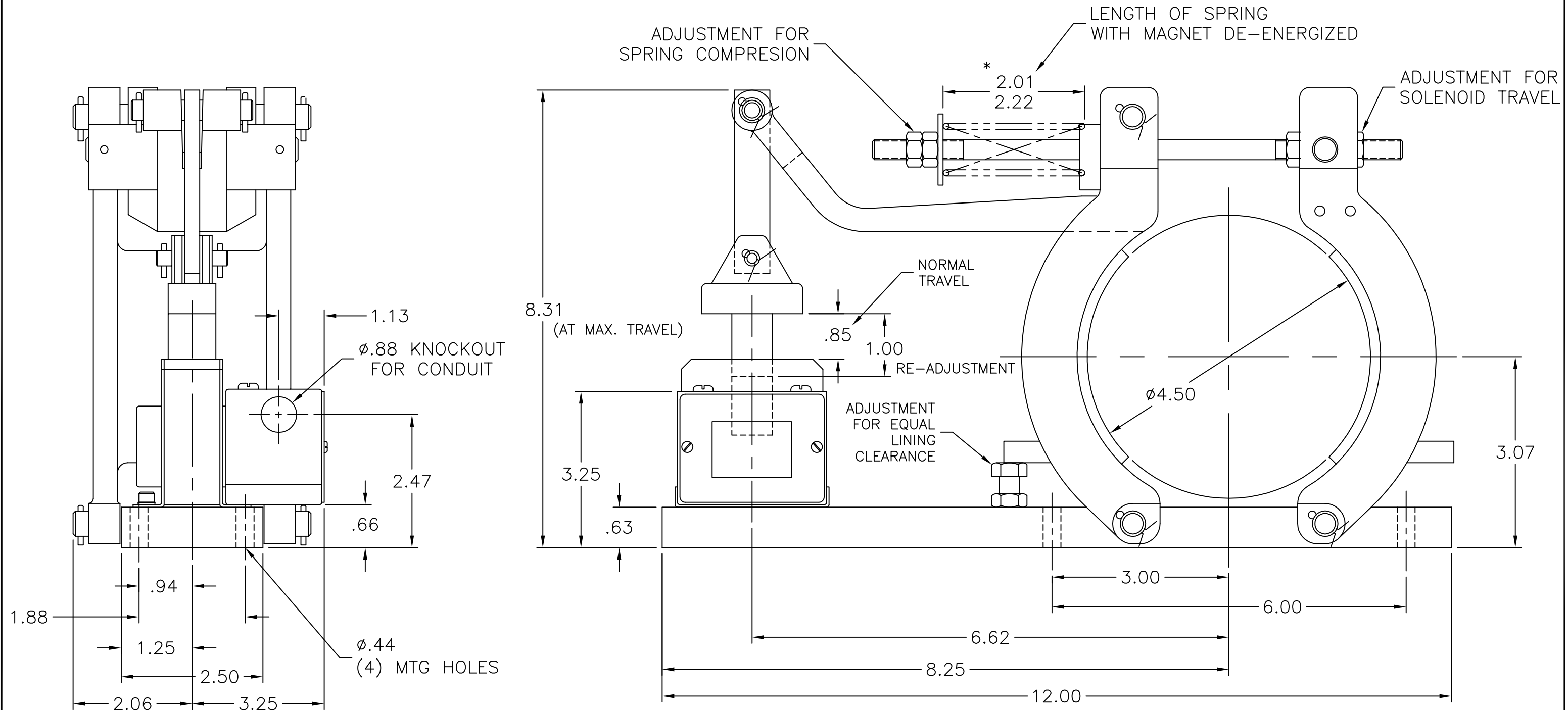


REVISION			
REV.	DESCRIPTION	DATE	BY
A	UPDATED DRAWING BORDER	12/08/03	J.S.B.

\* AT 2.01": TORQUE RATING OF 15 LB.FT.  
 2.22": TORQUE RATING OF 10 LB.FT.



THIRD ANGLE PROJECTION 	COPYRIGHT © 2003. AMETEK AUTOMATION & PROCESS TECHNOLOGIES. ALL RIGHTS RESERVED. DRAWING IS PROPERTY OF AMETEK AUTOMATION & PROCESS TECHNOLOGIES. UNAUTHORIZED USE, DUPLICATION OR DISTRIBUTION IS STRICTLY PROHIBITED BY FEDERAL LAW.	DR. J.S.B. DATE 05/18/99 APP.	TITLE <b>DIMENSION DRAWING CB15 BRAKE</b>
SURFACE FINISH $\frac{63}{\sqrt{}}$ UNLESS OTHERWISE SPECIFIED	<b>AMETEK®</b> AUTOMATION & PROCESS TECHNOLOGIES Clawson, MI 48017 U.S.A.	DATE SCALE	DRAWING NO. PD-0100500
TOLERANCE ALLOWANCE UNLESS OTHERWISE SPECIFIED: +/- 0.010 ON 2 PLACE DECIMALS +/- 0.005 ON 3 PLACE DECIMALS +/- 0.0005 ON 4 PLACE DECIMALS +/- 30 MIN. ON ALL ANGLES		NONE	REV. A SIZE B