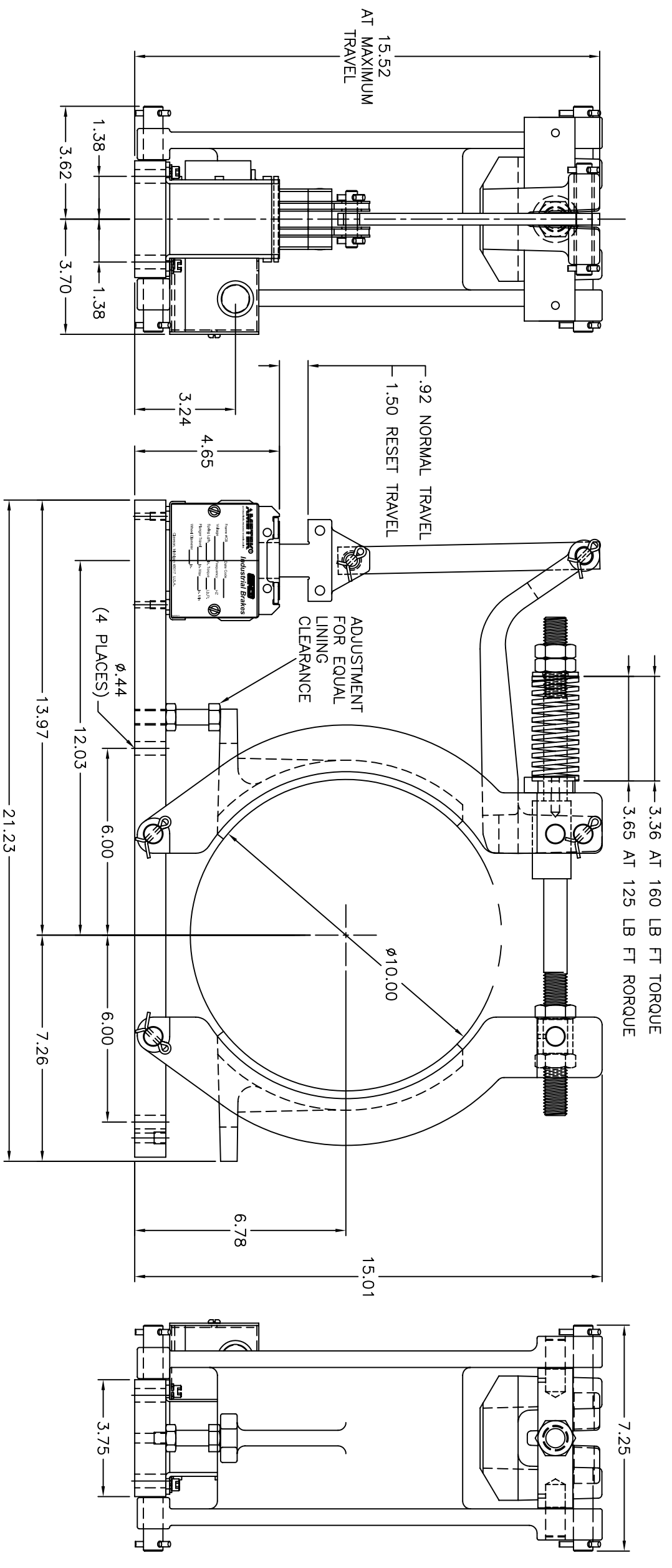
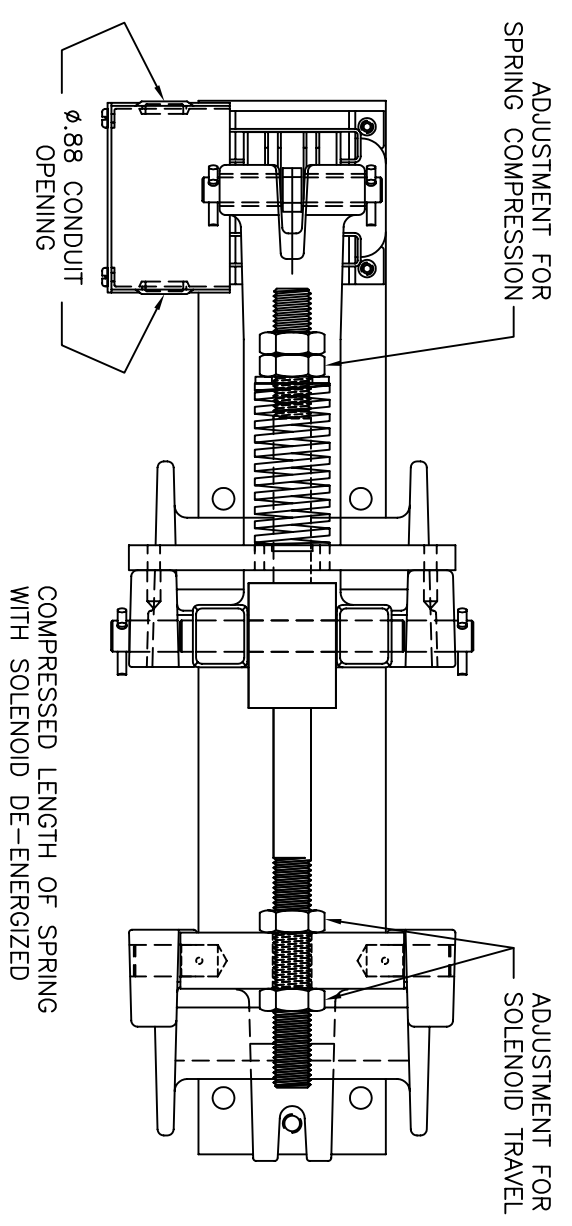


REV.	DESCRIPTION	REVISION	DATE	BY



THIRD ANGLE PROJECTION	DATE 12/05/06	DR. GSL	TITLE
SURFACE FINISH 32	UNLESS OTHERWISE SPECIFIED	DATE	DRAWING DIMENSION
TOLERANCE ALLOWANCE	UNLESS OTHERWISE SPECIFIED	SCALE 3/8	CB 160 BRAKE
±.0010 ON 2 PLACE DECIMALS	±.0005 ON 3 PLACE DECIMALS	DRAWING NO. PD-0116400	REV. SIZE 0 C
±.0005 ON 4 PLACE DECIMALS	±.00 MM ON ALL ANGLES	REV. 0	SIZE C

AMSTEREK
 AUTOMATION & PROCESS TECHNOLOGIES
 Clawson, MI 48017 U.S.A.