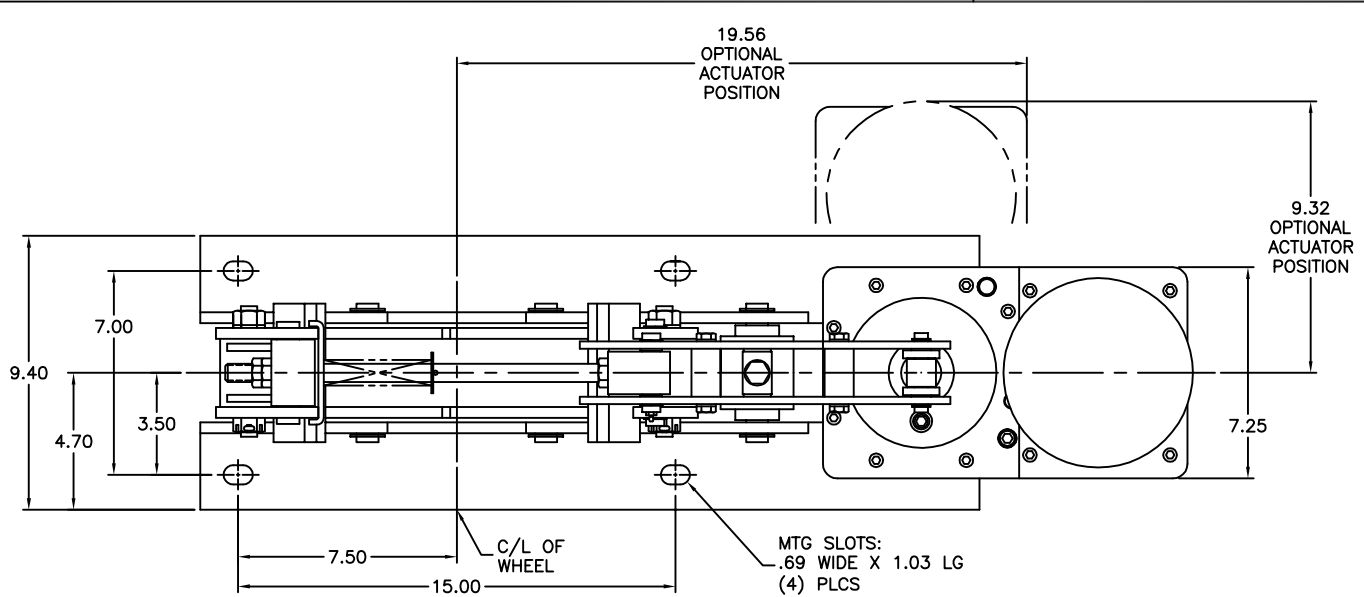
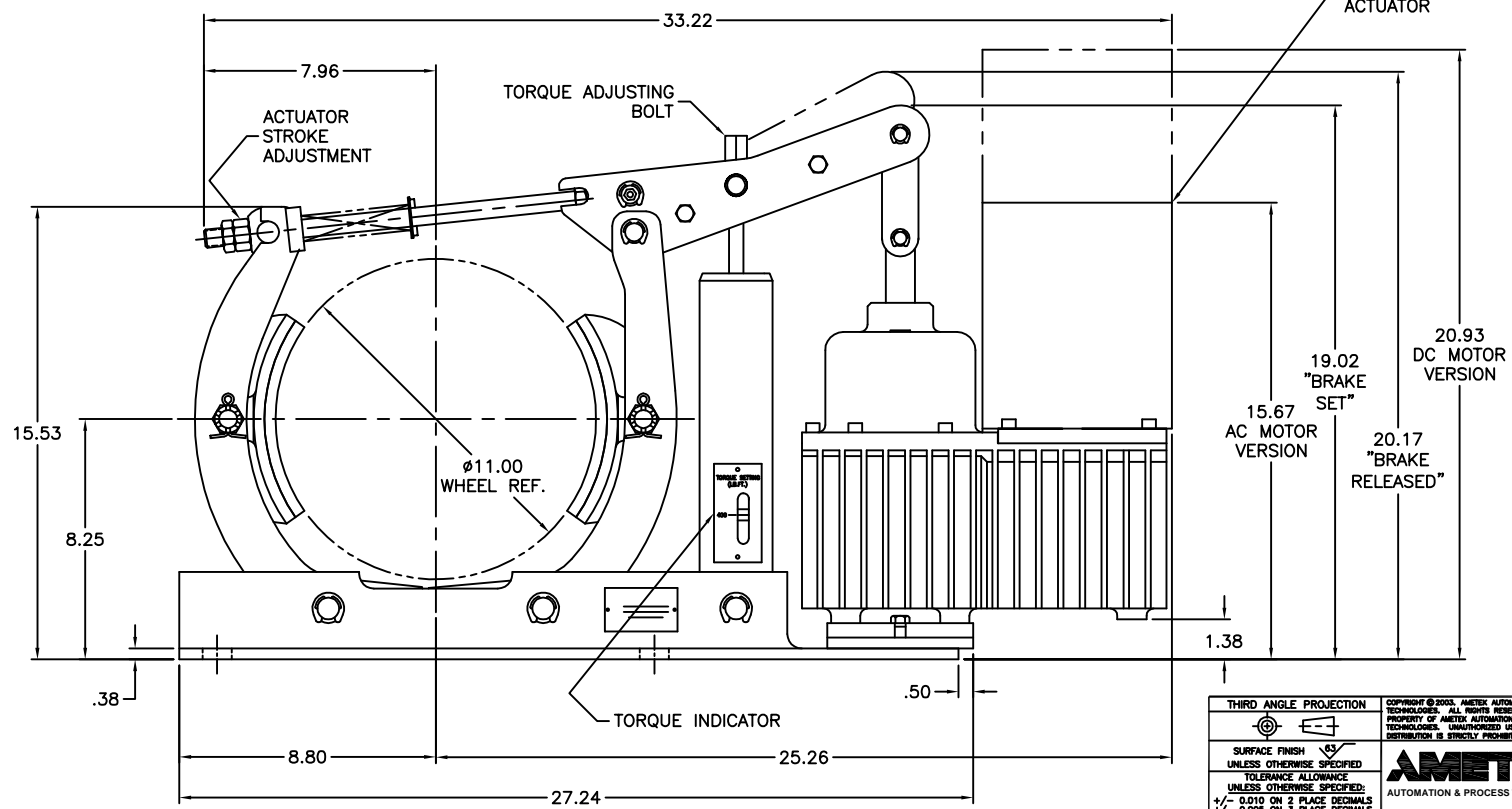


REVISION			
REV.	DESCRIPTION	DATE	BY
A	UPDATED DRAWING BORDER	02/16/04	J.S.B.



NOTE: ACTUATOR AVAILABLE IN THREE POSITIONS: INLINE (AS SHOWN), ROTATED 90° RIGHT (AS SHOWN), OR ROTATED 90° LEFT



NOTE: STANDARD TORQUE RATING: 400 LB.FT.

THIRD ANGLE PROJECTION	<small>COPYRIGHT © 2003, AMETEK AUTOMATION &amp; PROCESS TECHNOLOGIES. ALL RIGHTS RESERVED. DRAWING IS PROPERTY OF AMETEK AUTOMATION &amp; PROCESS TECHNOLOGIES. UNAUTHORIZED USE, DUPLICATION OR DISTRIBUTION IS STRICTLY PROHIBITED BY FEDERAL LAW.</small>	DR. E.A.K.	TITLE
<small>SURFACE FINISH UNLESS OTHERWISE SPECIFIED</small> <small>TOLERANCE ALLOWANCE UNLESS OTHERWISE SPECIFIED:</small> +/- 0.010 ON 2 PLACE DECIMALS +/- 0.005 ON 3 PLACE DECIMALS +/- 0.0005 ON 4 PLACE DECIMALS +/- 30 MIN. ON ALL ANGLES	 <small>AMETEK AUTOMATION &amp; PROCESS TECHNOLOGIES</small> <small>Clawson, MI 48017 U.S.A.</small>	DATE 6/20/96	DIMENSION DRAWING ET11NA BRAKE
		APP.	
		DATE	DRAWING NO.
		SCALE 5/16	REV. SIZE
			PD-0076500 A C