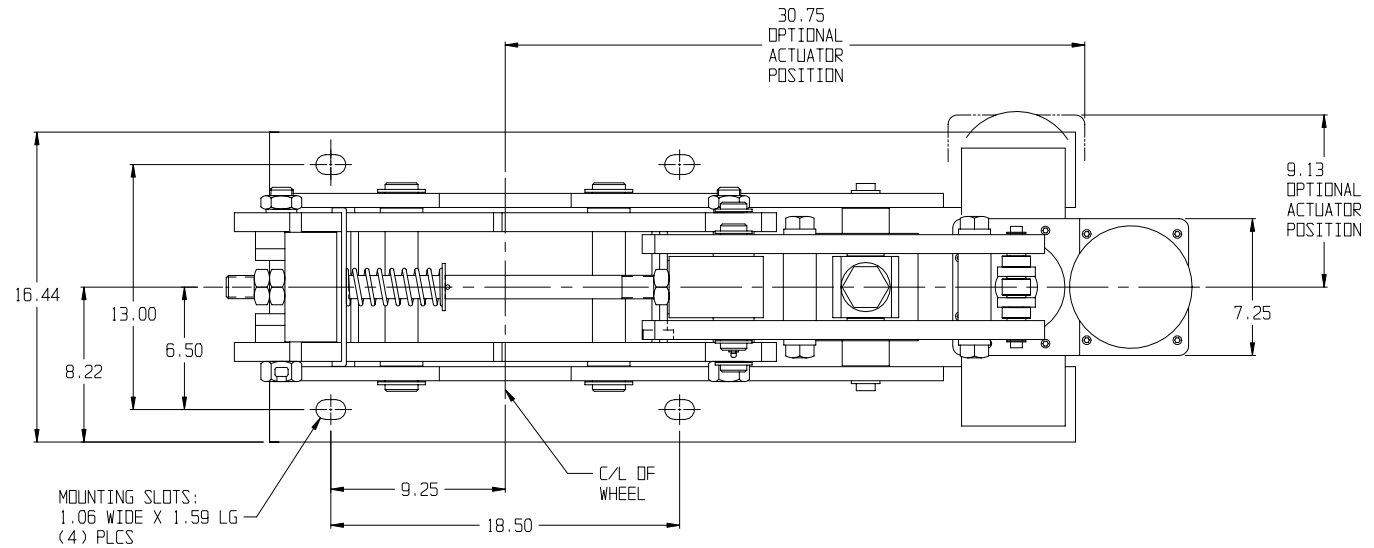
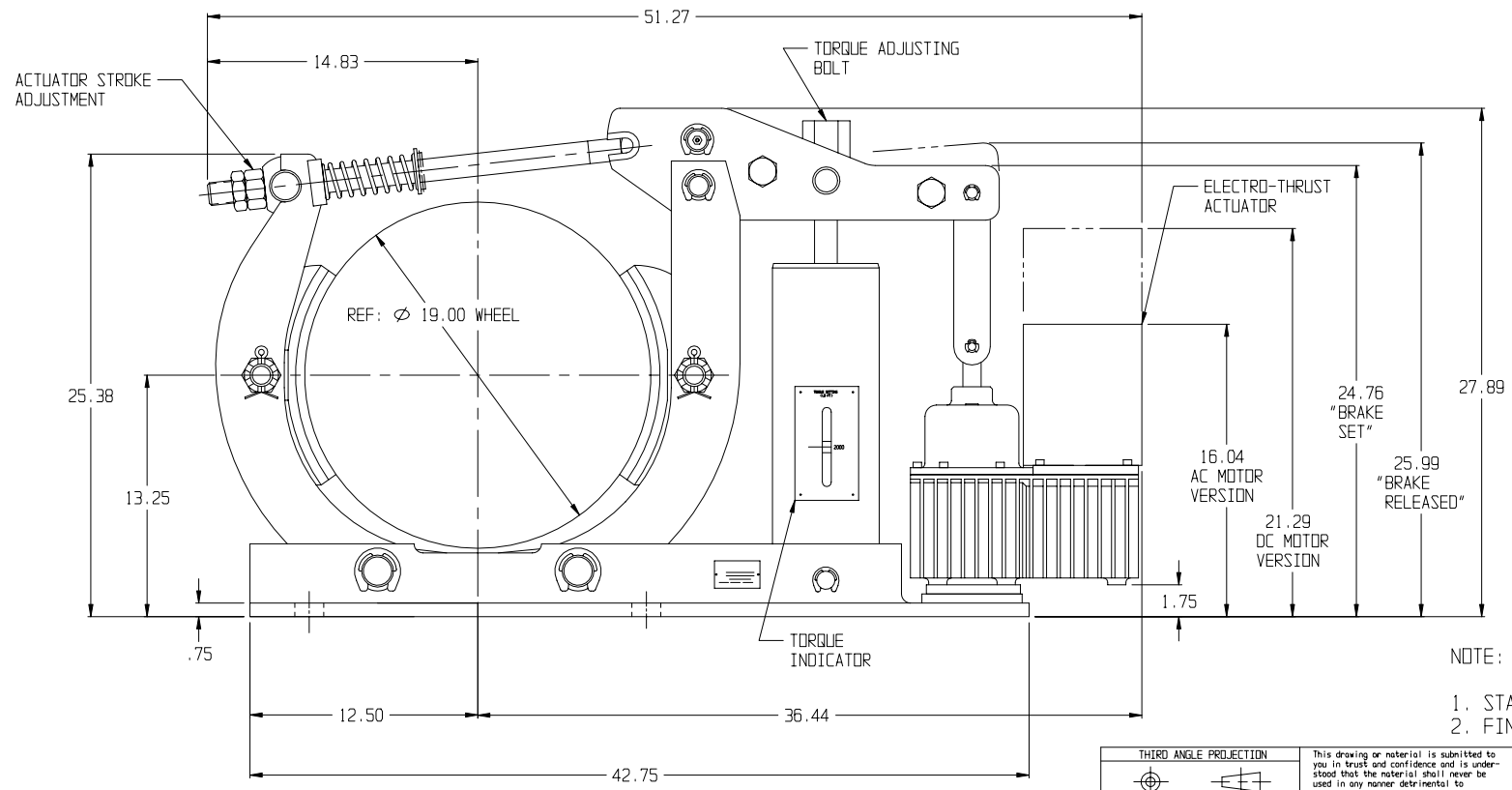


REVISIONS			
REV	DESCRIPTION	DATE	BY



NOTE: ACTUATOR AVAILABLE  
IN THREE POSITIONS--IN-LINE AND  
ROTATED 90° RIGHT OR LEFT.  
SHOWN AT IN-LINE AND 90° RIGHT  
POSITIONS.



NOTE:  
1. STANDARD TORQUE RATING: 2000 LB.FT.  
2. FINISH: PAINT PER SPEC. FSN0008

THIRD ANGLE PROJECTION 	This drawing or material is submitted to you in trust and confidence and is understood that the material shall never be used in any manner detrimental to our company.  <b>PATRIOT</b> Sensors & Controls Corporation 6380 BROCKWAY ROAD PECK, MICHIGAN 48466	DR. J. S. B.	TITLE
		DATE 9/25/96	DIMENSION DRAWING ET19 BRAKE
TOLERANCE ALLOWANCE UNLESS SPECIFIED		DATE SCALE	REV. SIZE
+/- .010 IN 2 PLACE DECIMAL +/- .005 IN 3 PLACE DECIMAL +/- .0005 IN 4 PLACE DECIMAL +/- 0° 30' IN ANGLE		3/16	REV. <input type="checkbox"/> <input type="checkbox"/> <input type="checkbox"/> <input type="checkbox"/> SIZE C
		F.D. NO. 8220	S.D. NO.