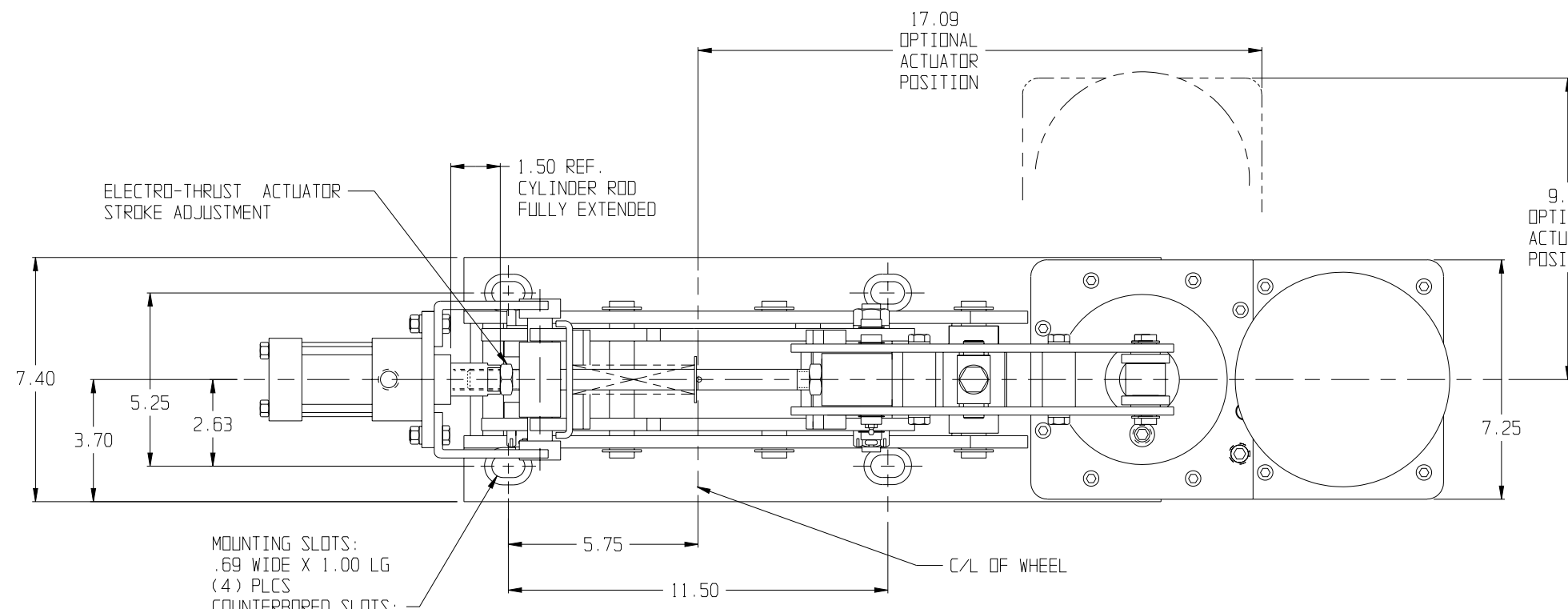
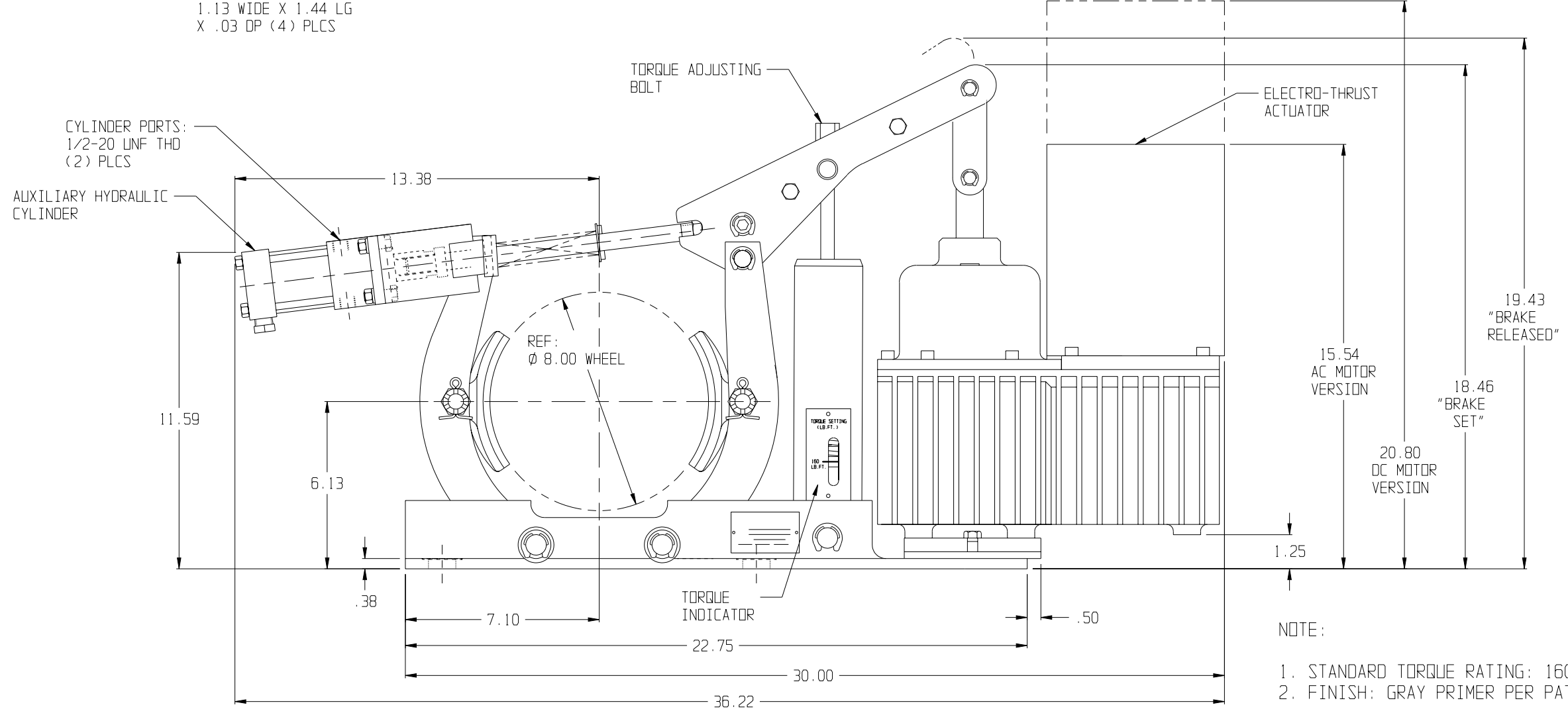


REVISIONS			
REV	DESCRIPTION	DATE	BY



NOTE: ACTUATOR AVAILABLE IN THREE POSITIONS--IN-LINE AND ROTATED 90° RIGHT OR LEFT. SHOWN AT IN-LINE AND 90° RIGHT POSITIONS.



NOTE:
 1. STANDARD TORQUE RATING: 160 LB.FT.
 2. FINISH: GRAY PRIMER PER PATRIOT SPEC. FSN0008

THIRD ANGLE PROJECTION 	This drawing or material is submitted to you in trust and confidence and is understood that the material shall never be used in any manner detrimental to our company.	DR. J.S.B. DATE 5/21/99 APP.	TITLE DIMENSION DRAWING ETH8NA BRAKE	
	PATRIOT Sensors & Controls Corporation 6380 BROCKWAY ROAD PECK, MICHIGAN 48466	DATE 5/16 SCALE	DRAWING NO. PD-0076801	REV. <input type="checkbox"/>
TOLERANCE ALLOWANCE UNLESS SPECIFIED +/- .010 IN 2 PLACE DECIMAL +/- .005 IN 3 PLACE DECIMAL +/- .0005 IN 4 PLACE DECIMAL +/- 0°30' ON ANGLE	F.O. NO. 8220		S.O. NO.	