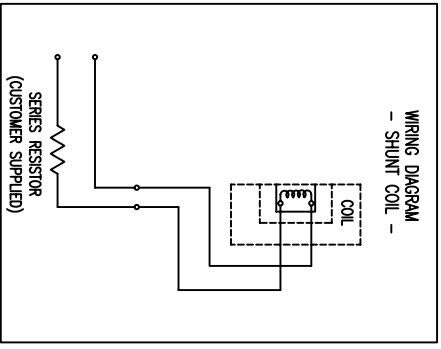


REV	DESCRIPTION	REVISION	DATE	BY
A	REDRAWN TO CAD		8/21/97	J.S.B.

COIL DATA - SHUNT OPERATION		INTERMITTENT OPERATION	
VOLTS DC	64 VDC	80 VDC	
AMPS	0.88 AMPS	1.10 AMPS	
RESISTOR REQ'D	212 OHMS	155 OHMS	

NON-STANDARD TORQUE RATINGS:	
TORQUE LB.FT.	2.81

- NOTES:
- STANDARD TORQUE RATING: 25 LB.FT. (MAIN SPRING LENGTH OF 2.63")
  - FINISH: PAINT PER SPEC. FSN0008
  - NORMAL MAGNET TRAVEL: .06"
  - WEIGHT OF BRAKE W/O WHEEL: .38 LBS.
  - STANDARD RIGHT HAND MOUNTING SHOWN.
- FOR LEFT HAND MOUNTING: POSITIONS OF COIL LEADS AND SHOE BOLT HEADS ARE REVERSED.



THIRD ANGLE PROJECTION	CONTRACT & SALE	DR. J.S.B.	TITLE
SURFACE FINISH	PROPERTY OF AMETEK AUTOMATION & PROCESS TECHNOLOGIES	DATE 3/15/91	DIMENSION DRAWING
UNLESS OTHERWISE SPECIFIED	AMETEK	APP. J.S.B.	TM43 BRAKE
TOLERANCE ALLOWANCE	AMETEK AUTOMATION & PROCESS TECHNOLOGIES	DATE 3/19/91	
UNLESS OTHERWISE SPECIFIED	CLAWSON, MI 48017 U.S.A.	SCALE	DRAWING NO.
±.0004 ON 3 PLACE DECIMALS		3/4	E004198001
±.0008 ON 4 PLACE DECIMALS			REV. SIZE
±.0016 ON 5 PLACE DECIMALS			A C