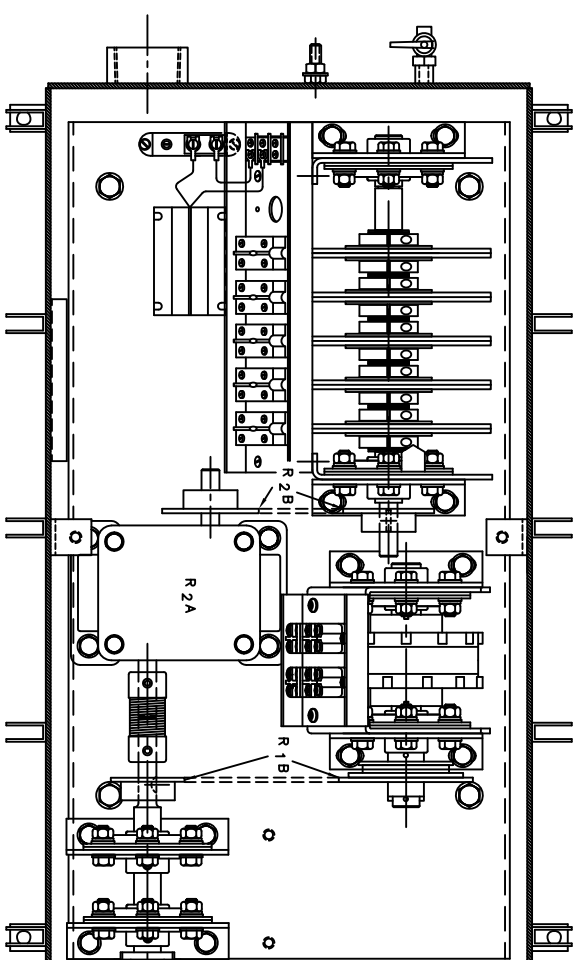
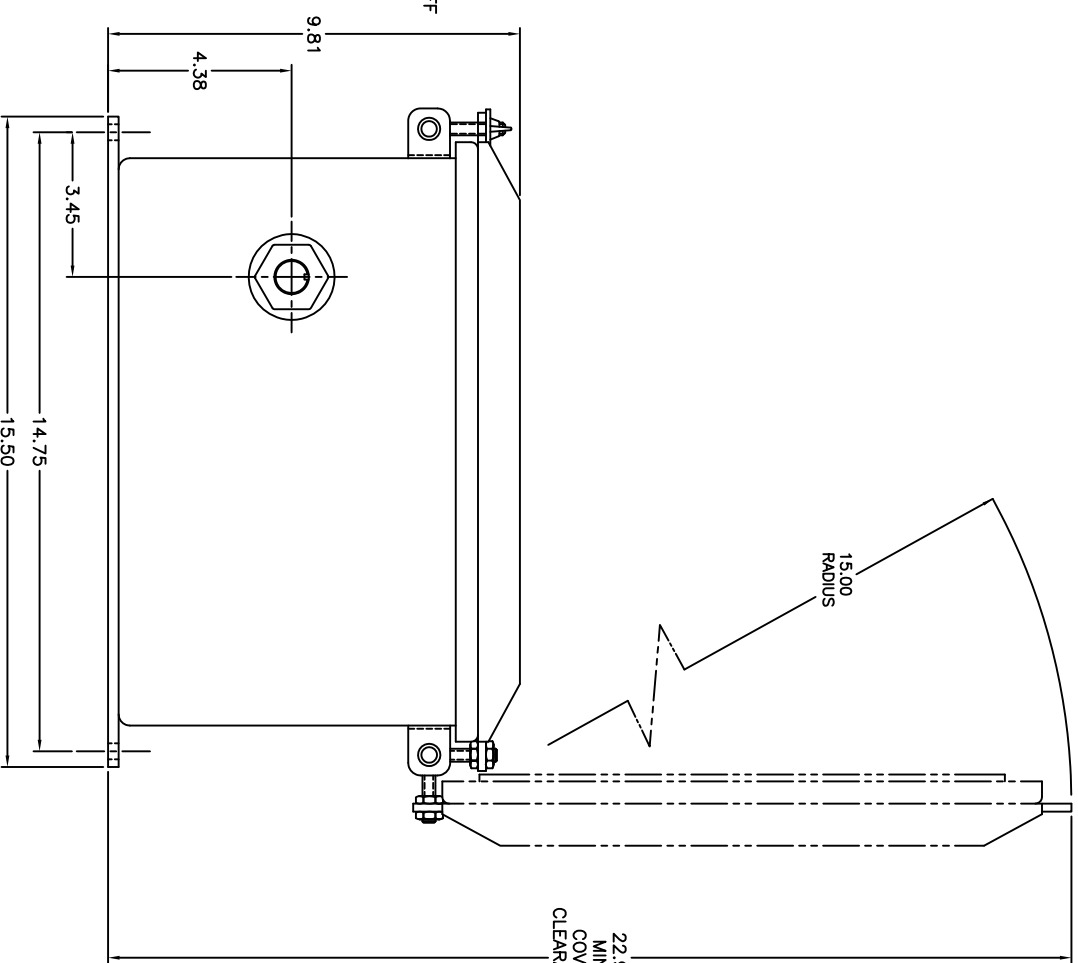
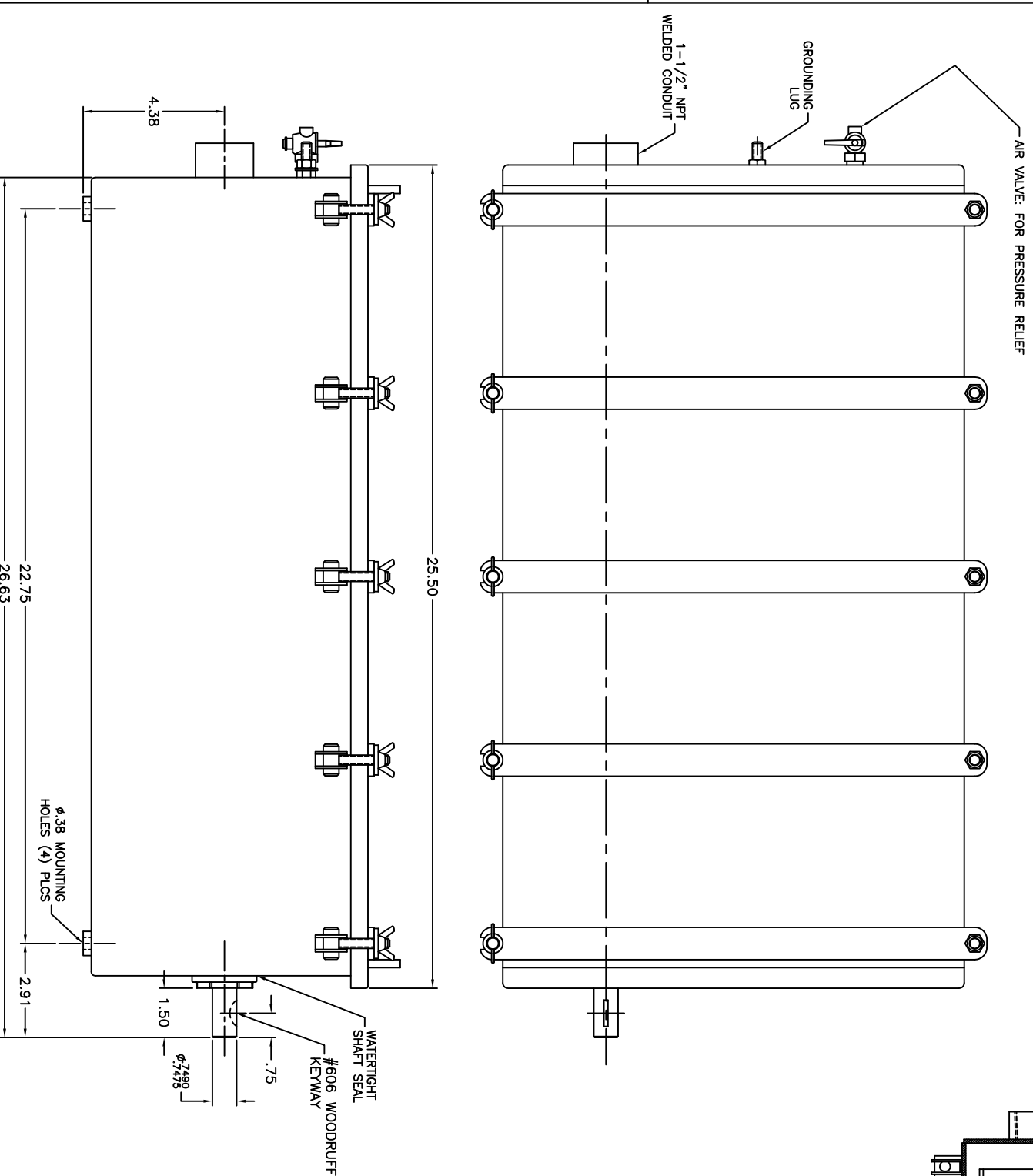


REV.	DESCRIPTION	REVISION	DATE	BY



LOCATION	RATIO
R 1 B	1:1
R 2 A	4:1
R 2 B	1:20:1

SCALE: 3/8



P/N 1997-1405
 GEMCO GATE HOIST LIMIT SWITCH:
 5 MICRO-ADJUST CIRCUITS, EACH WITH
 S.P.D.T. SWITCHES & SEALS;
 2 S.P.D.T. SWITCHES & CAMS FOR INCREMENTAL
 CONTROL; NEMA 4 STAINLESS STEEL ENCLOSURE;
 HEATER & THERMOSTAT; RIGHT HAND SHAFT
 EXTENSION.

THIRD ANGLE PROJECTION	DR. J.S.B.	TITLE
SURFACE FINISH	DATE 5/08/10	DIMENSION DRAWING
TOLERANCE ALLOWANCE	APP. G.S.L.	TAINER VALVE
UNLESS OTHERWISE SPECIFIED	DATE 5/05/10	CAM LIMIT SWITCH
±.000 ON 2 PLACE DECIMALS	SCALE	DRAWING NO.
±.005 ON 3 PLACE DECIMALS	7/16	PD-0121000
±.010 ON 4 PLACE DECIMALS		REV. 1/ SIZE
±.015 ON 5 PLACE DECIMALS		0 D
±.030 ON ALL ANGLES		

AMSTER
 AUTOMATION & PROCESS TECHNOLOGIES
 Clawson, MI 48017 U.S.A.